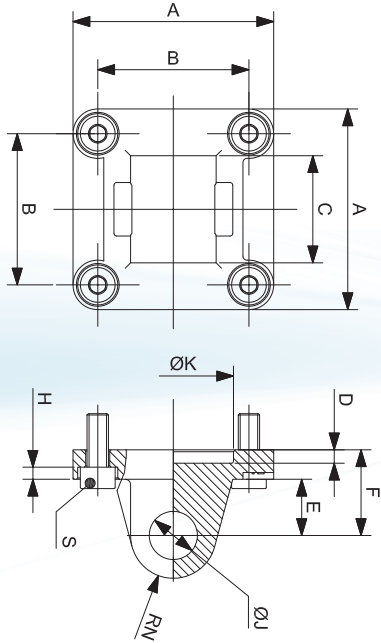


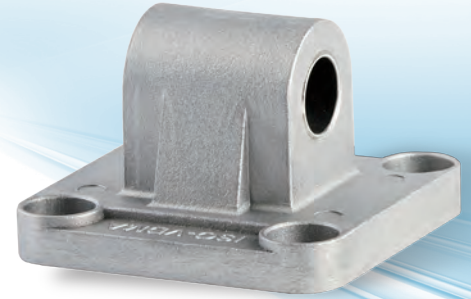
CMP...E

MALE HINGE (MP4)



STANDARD VERSION:
 MATERIAL OF THE BODY:
 DIE CASTED ALUMINIUM
 MATERIAL OF BUSHES: STEEL AND PTFE

STAINLESS STEEL VERSION:
 MATERIAL: STAINLESS STEEL AISI 304

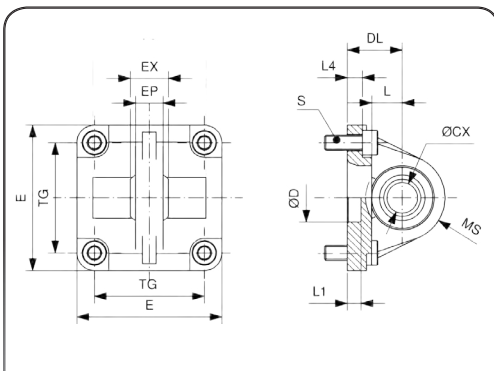


CODE	CYLINDER Ø	A	B	C	D	E	F	H	ØJ	ØK	RN	S
CMP32E	32	45	32.5	26	5	13	22	3.5	10	30	10	M6x20
CMP40E	40	52	38	28	5	16	25	3.5	12	35	12	M6x20
CMP50E	50	65	46.5	32	5	16	27	4.5	12	40	12	M8x20
CMP63E	63	75	56.5	40	5	21	32	4.5	16	45	16	M8x20
CMP80E	80	95	72	50	5	22	36	4	16	45	16	M10x25
CMP100E	100	115	89	60	5	27	41	4	20	55	20	M10x25
CMP125E	125	140	110	70	7	30	50	10	25	60	25	M12x25
CMP160E	160	180	140	90	7	35	55	10	30	65	25	M16x30
CMP200E	200	220	175	90	7	35	60	14	30	75	25	M16x30

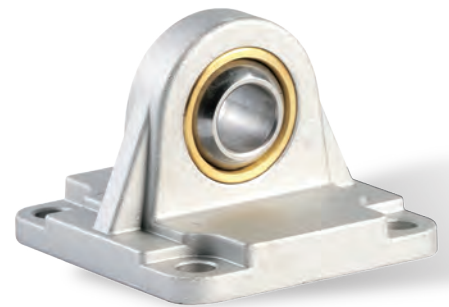
Note: supplied with 4 screws DIN 912

CTP...E

MALE HINGE WITH SPHERICAL BEARING (MP6)



STANDARD VERSION:
 MATERIAL OF THE BODY:
 DIE CASTED ALUMINIUM
 MATERIAL OF THE SPHERICAL BEARING:
 STEEL, BRONZE AND PTFE



CODE	CYLINDER Ø	TG	ØCX	DL	L	EX	EP	S	L4	D	L1	E	MS	S
CTP32E	32	32.5	10	22	12	14	10.5	M6x20	5.5	30	7	45	16	M6x20
CTP40E	40	38	12	25	15	16	12	M6x20	5.5	35	7	52	18	M6x20
CTP50E	50	46.5	16	27	15	21	15	M8x20	6.5	40	7	65	21	M8x20
CTP63E	63	56.5	16	32	20	21	15	M8x20	6.5	45	7	75	23	M8x20
CTP80E	80	72	20	36	20	25	18	M10x25	10	45	9	95	28	M10x25
CTP100E	100	89	20	41	25	25	18	M10x25	10	55	9	115	30	M10x25
CTP125E	125	110	30	50	30	37	25	M12x25	10	60	9	140	40	M12x25
CTP160E	160	140	35	55	35	43	30	M16x30	10	65	7	180	44	M16x30
CTP200E	200	175	35	60	35	43	30	M16x30	11	75	7	220	47	M16x30

Note: supplied with 4 screws DIN 912