



Novibra® type EH

Type EH mountings are designed to achieve effective vibration isolation on engines, operator cabins and other ancillary units.

Typical applications can be found in the following areas:

- Off-road equipment
- Military vehicles
- Transport machinery
- Construction equipment
- Agricultural vehicles
- Industrial mobile machinery

Max tightening torque

- EH 4850: 40 Nm
- EH 6463: 80 Nm
- EH 9075: 200 Nm

Features

Type EH is designed primarily for mobile applications where high dynamic and shock forces are encountered.

Dynamic vertical movements in both the directions are restricted and excellent horizontal stability is provided.

Stress on brackets are optimized while at the same time obtaining vibration isolation and shock absorption.

The function of EH includes features as:

- Dynamic efficiency in all directions
- Attenuation of structure-borne noise
- Accommodation of misalignment and distortion
- Simple design – easy to install
- Fail-safe installation
- Wide load range, 80 to 450 kg

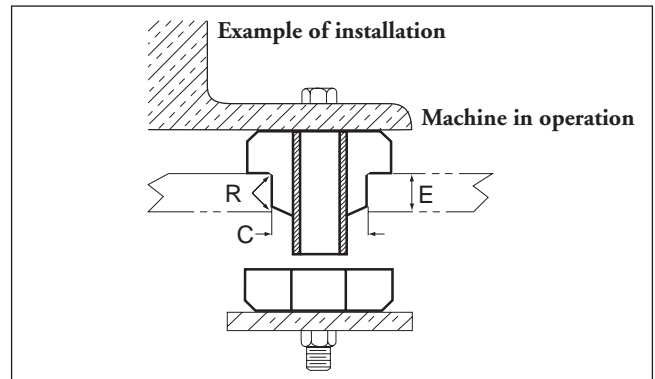
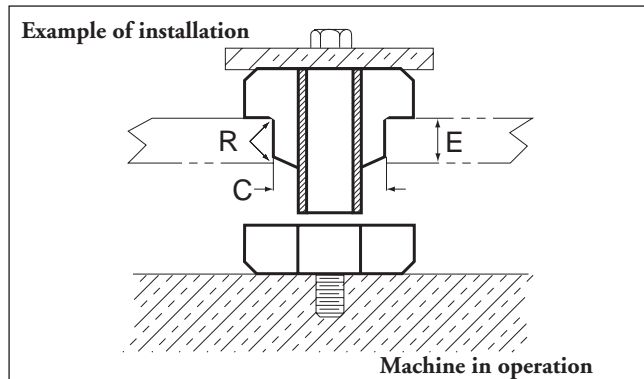
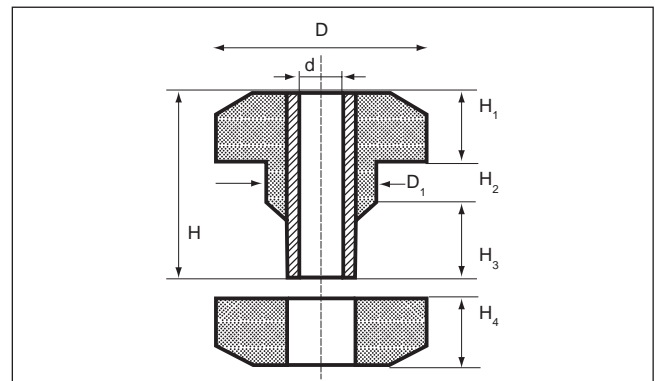


Table of dimensions for installation

| Type | Dimensions in mm | | |
|---------|------------------|------|-----|
| | C | E | R |
| EH 4850 | 31.0 | 15.0 | 1.5 |
| EH 6463 | 39.0 | 22.0 | 2.3 |
| EH 9075 | 56.5 | 28.0 | 3.0 |

| Type | Art.No. 40° IRH | Art.No. 60° IRH | Dimensions in mm | | | | | | | | Max load (kg) | |
|---------|--------------------|--------------------|------------------|----|----|----|----|----|----|----|---------------|---------|
| | | | d | D | D1 | H | H1 | H2 | H3 | H4 | 40° IRH | 60° IRH |
| EH 4850 | 1860570 | 1860560 | 13.0 | 50 | 32 | 50 | 20 | 10 | 20 | 20 | 80 | 130 |
| EH 6463 | 1860550 | 1860540 | 17.0 | 64 | 40 | 62 | 23 | 14 | 25 | 23 | 120 | 260 |
| EH 9075 | 1860530 | 1860520 | 23.0 | 89 | 58 | 73 | 25 | 19 | 29 | 25 | 260 | 450 |