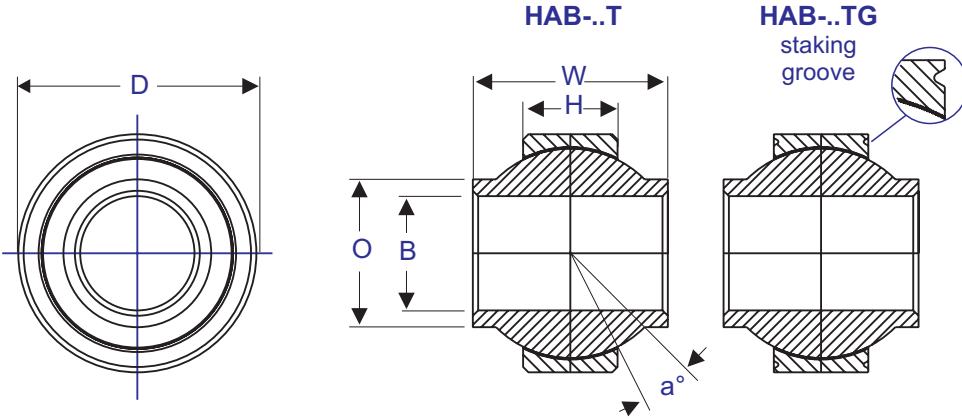




**HAB-T and HAB-TG series**  
**Spherical Bearings (PTFE) lined**  
**high misalignment**  
 motorsports use - self lubricating



Specifications
<b>Race</b> - 25CrMo4 steel, heat treated, protective coated for corrosion resistance
<b>Ball</b> - 100Cr6 steel, heat treated, hard chrome plated
<b>PTFE LINER</b> - AT3200, permanently bonded to race inside diameter, qualified to SAE/AS81820, formerly MIL/B/81820

Bearing No.	DIMENSIONS IN INCHES							a° Misalign. angle	Radial Static Load Capacity Lbs.	Approx Brg. Wt. Lbs.
	B + .0015 - .0005	D + .0000 - .0007	H ± .005	W ± .005	O	M chamfer	Ball Dia.			
HAB-4T	0,2500	0,7400	0,255	0,593	0,390	0,020	0,5930	24°	7.560	0,036
HAB-5T	0,3125	0,9060	0,345	0,813	0,512	0,030	0,7810	23°	16.975	0,078
HAB-6T(G)	0,3750	0,9060	0,345	0,813	0,512	0,030	0,7810	23°	16.975	0,070
HAB-7T(G)	0,4375	1,0000	0,345	0,875	0,618	0,030	0,8750	22°	19.018	0,091
HAB-8T(G)	0,5000	1,1250	0,401	0,937	0,730	0,030	1,0000	20°	25.263	0,132
HAB-10T(G)	0,6250	1,3750	0,567	1,200	0,856	0,030	1,2500	20°	44.651	0,254
HAB-12T(G)	0,7500	1,5625	0,620	1,280	0,970	0,035	1,3750	18°	53.707	0,332
HAB-14T	0,8750	1,7500	0,630	1,400	1,140	0,039	1,5310	18°	72.424	0,436

Bearing No.	DIMENSIONS IN MILLIMETERS							a° Misalign. angle	Radial Static Load Capacity Newtons	Approx Brg. Wt. Grams
	B + 0,038 - 0,013	D + 0,000 - 0,018	H ± 0,13	W ± 0,13	O	M chamfer	Ball Dia.			
HAB-4T	6,350	18,796	6,477	15,062	9,906	0,508	15,062	24°	33.627	16
HAB-5T	7,938	23,012	8,763	20,650	13,005	0,762	19,837	23°	75.505	35
HAB-6T(G)	9,525	23,012	8,763	20,650	13,005	0,762	19,837	23°	75.505	32
HAB-7T(G)	11,113	25,400	8,763	22,225	15,697	0,762	22,225	22°	84.592	41
HAB-8T(G)	12,700	28,575	10,185	23,800	18,542	0,762	25,400	20°	112.370	60
HAB-10T(G)	15,875	34,925	14,402	30,480	21,742	0,762	31,750	20°	198.608	115
HAB-12T(G)	19,050	39,688	15,748	32,512	24,638	0,889	34,925	18°	238.889	151
HAB-14T	22,225	44,450	16,002	35,560	28,956	0,991	38,887	18°	322.142	198

**METRIC UNITS**

HAB-M14TG-1	14,00	29,000	10,000	23,500	19,000	-	25,400	20°	132.300	54
HAB-M16TG-1	16,00	35,000	14,000	30,500	21,500	-	31,750	21°	231.200	109
HAB-M18TG-2	18,00	44,000	15,300	35,000	28,700	-	38,100	18°	302.300	214