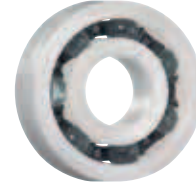


FDA

xirodur® B180 cage,
stainless steel ballsxirodur® B180 cage,
glass ballsPA cage,
stainless steel ballsPA cage,
glass balls

FDA

PE cage,
stainless steel ballsTeknisk data

Special designs made from xirodur® B180
► From page 843

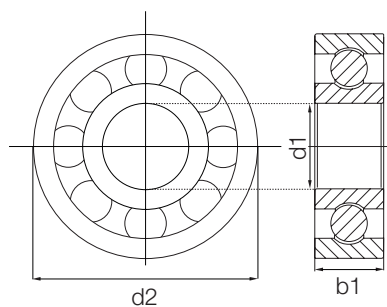
Technical data

Size	Radial load capacity		Max. speed [rpm]	Weight				
	stat. [N]	dyn. [N]		B180/ES [g]	B180/GL [g]	PA/ES [g]	PA/GL [g]	PE/ES [g]
623	25	34	4,500	0.4	0.4	0.4	0.3	–
633	33	45	4,000	–	–	–	–	–
684	10	11	4,600	–	–	–	–	–
694	12	14	4,000	–	–	–	–	–
604	30	32	3,600	–	–	–	–	–
624	33	45	4,000	–	–	1.0	0.9	–
634	40	40	3,700	–	–	–	–	–
685	12	14	4,000	–	–	–	–	–
695	29	30	3,500	–	–	–	–	–
605	32	33	3,500	–	–	–	–	–
625	40	40	3,700	–	–	1.6	1.0	–
635	41	43	3,200	–	–	–	–	–
686	29	30	3,500	–	–	–	–	–
696	29	30	3,500	–	–	–	–	–
606	50	53	3,300	–	–	–	–	–
626	60	62	3,200	2.3	1.8	2.2	1.7	–
636	80	94	2,200	–	–	–	–	–
687	32	34	3,200	–	–	–	–	–
697	39	41	3,000	–	–	–	–	–
607	41	43	3,200	–	–	–	–	–
627	80	94	2,400	–	–	–	–	–
688	39	41	3,000	–	–	3.1	2.1	–
698	60	62	3,200	–	–	–	–	–
608	80	94	2,400	4.0	2.7	3.9	2.6	–



Order example:

BB-623-B180-10-ES = Radial deep groove ball bearing with race material xirodur® B180, PA cage and stainless steel balls



Order key

Type	Material
------	----------

BB-623-B180-10-ES

Ball bearing	Dimensions acc. to DIN 625-1	Race material	Cage material	Ball material
--------------	------------------------------	---------------	---------------	---------------

Options

Cage material

10: PA

30: xirodur® B180

50: PE

Ball material

ES: Stainless steel

GL: Glass



Imperial dimensions available

► Page 1455

Dimensions [mm]

Inner Ø d1	Outer Ø d2	Width b1	Cage/ball material combination					Part No.
			B180/ES	B180/GL	PA/ES	PA/GL	PE/ES	
3	10	4	●	●	●	●	●	BB-623-B180- <input type="text"/> - <input type="text"/>
3	13	5	●	●	-	-	-	BB-633-B180- <input type="text"/> - <input type="text"/>
4	9	4	●	●	-	-	-	BB-684-B180- <input type="text"/> - <input type="text"/>
4	11	4	●	●	-	-	-	BB-694-B180- <input type="text"/> - <input type="text"/>
4	12	4	●	●	-	-	-	BB-604-B180- <input type="text"/> - <input type="text"/>
4	13	5	●	●	●	●	●	BB-624-B180- <input type="text"/> - <input type="text"/>
4	16	5	●	●	-	-	-	BB-634-B180- <input type="text"/> - <input type="text"/>
5	11	5	●	●	-	-	-	BB-685-B180- <input type="text"/> - <input type="text"/>
5	13	4	●	●	-	-	-	BB-695-B180- <input type="text"/> - <input type="text"/>
5	14	5	●	●	-	-	-	BB-605-B180- <input type="text"/> - <input type="text"/>
5	16	5	●	●	●	●	●	BB-625-B180- <input type="text"/> - <input type="text"/>
5	19	6	●	●	-	-	-	BB-635-B180- <input type="text"/> - <input type="text"/>
6	13	5	●	●	-	-	-	BB-686-B180- <input type="text"/> - <input type="text"/>
6	15	5	●	●	-	-	-	BB-696-B180- <input type="text"/> - <input type="text"/>
6	17	6	●	●	-	-	-	BB-606-B180- <input type="text"/> - <input type="text"/>
6	19	6	●	●	●	●	●	BB-626-B180- <input type="text"/> - <input type="text"/>
6	22	7	●	●	-	-	-	BB-636-B180- <input type="text"/> - <input type="text"/>
7	14	5	●	●	-	-	-	BB-687-B180- <input type="text"/> - <input type="text"/>
7	17	5	●	●	-	-	-	BB-697-B180- <input type="text"/> - <input type="text"/>
7	19	6	●	●	-	-	-	BB-607-B180- <input type="text"/> - <input type="text"/>
7	22	7	●	●	-	-	-	BB-627-B180- <input type="text"/> - <input type="text"/>
8	16	5	●	●	●	●	-	BB-688-B180- <input type="text"/> - <input type="text"/>
8	19	6	●	●	-	-	-	BB-698-B180- <input type="text"/> - <input type="text"/>
8	22	7	●	●	●	●	●	BB-608-B180- <input type="text"/> - <input type="text"/>



Available from stock upon request

Technical data

Size	Radial load capacity		Max. speed [rpm]	Weight				
	stat. [N]	dyn. [N]		B180/ES [g]	B180/GL [g]	PA/ES [g]	PA/GL [g]	PE/ES [g]
628	100	110	2,300	–	–	–	–	–
638	110	130	2,200	–	–	–	–	–
689	40	42	2,500	–	–	–	–	–
699	43	45	2,250	–	–	–	–	–
609	100	110	2,300	–	–	–	–	–
629	110	128	2,200	–	–	–	–	–
6800	43	45	2,250	–	–	–	–	–
6900	60	64	2,000	–	–	–	–	–
6000	110	130	2,200	6.3	4.1	6.1	4.0	–
6200	130	147	2,000	–	–	7.8	5.2	–
6300	140	150	1,800	–	–	–	–	–
6701	16	18	2,200	–	–	–	–	–
6801	60	64	2,000	–	–	–	–	–
6901	80	83	1,800	–	–	–	–	–
6001	130	147	2,000	7.1	–	6.9	4.5	–
6201	140	150	1,800	–	–	8.8	5.9	–
6301	160	220	1,600	–	–	–	–	–
6702	19	21	1,800	–	–	–	–	–
6802	80	83	1,800	–	–	–	–	–
6902	90	94	1,700	–	–	–	–	–
6002	140	150	1,800	–	–	–	–	–
6202	160	220	1,600	12.8	8.9	11.6	8.2	–
6302	250	320	1,400	–	–	–	–	–
6703	23	25	1,600	–	–	–	–	–
6803	90	94	1,700	–	–	–	–	–
6903	90	94	1,700	–	–	–	–	–
6003	160	220	1,600	11.5	8.4	11.1	7.9	–
6203	250	320	1,400	–	–	14.4	10.2	–
6303	280	360	1,200	–	–	–	–	–
6704	30	36	1,400	–	–	–	–	–
6804	100	120	1,500	–	–	–	–	–
6904	140	144	1,150	–	–	–	–	–
6004	250	320	1,400	20.8	14.2	20.2	13.6	–
6204	280	360	1,200	–	–	26.2	17.7	–
6304	380	400	1,000	–	–	–	–	–
6705	32	38	1,200	–	–	–	–	–
6805	140	144	1,150	–	–	–	–	–
6905	160	162	900	–	–	–	–	–
6005	280	360	1,200	24.7	17.5	23.9	16.7	–
6205	380	400	1,000	–	–	35.2	24.6	–
6305	480	520	850	–	–	–	–	–



Order example:

BB-628-B180-30-ES = Radial deep groove ball bearing with race material xirodur® B180, xirodur® B180 cage and stainless steel balls

Dimensions [mm]

Inner Ø	Outer Ø	Width	Cage/ball material combination					Part No.
			B180/ES	B180/GL	PA/ES	PA/GL	PE/ES	
d1	d2	b1						
8	24	8	●	●	–	–	–	BB-628-B180- <input type="text"/> - <input type="text"/>
8	28	9	●	●	–	–	–	BB-638-B180- <input type="text"/> - <input type="text"/>
9	17	5	●	●	–	–	–	BB-689-B180- <input type="text"/> - <input type="text"/>
9	20	6	●	●	–	–	–	BB-699-B180- <input type="text"/> - <input type="text"/>
9	24	7	●	●	–	–	–	BB-609-B180- <input type="text"/> - <input type="text"/>
9	26	8	●	●	●	–	–	BB-629-B180- <input type="text"/> - <input type="text"/>
10	19	5	●	●	–	–	–	BB-6800-B180- <input type="text"/> - <input type="text"/>
10	22	6	●	●	–	–	–	BB-6900-B180- <input type="text"/> - <input type="text"/>
10	26	8	●	●	●	●	●	BB-6000-B180- <input type="text"/> - <input type="text"/>
10	30	9	●	●	●	●	–	BB-6200-B180- <input type="text"/> - <input type="text"/>
10	35	11	●	●	●	●	–	BB-6300-B180- <input type="text"/> - <input type="text"/>
12	18	4	●	●	–	–	–	BB-6701-B180- <input type="text"/> - <input type="text"/>
12	21	5	●	●	–	–	–	BB-6801-B180- <input type="text"/> - <input type="text"/>
12	24	6	●	●	–	–	–	BB-6901-B180- <input type="text"/> - <input type="text"/>
12	28	8	●	●	●	●	●	BB-6001-B180- <input type="text"/> - <input type="text"/>
12	32	10	●	●	●	●	–	BB-6201-B180- <input type="text"/> - <input type="text"/>
12	37	12	●	●	–	–	–	BB-6301-B180- <input type="text"/> - <input type="text"/>
15	21	4	●	●	–	–	–	BB-6702-B180- <input type="text"/> - <input type="text"/>
15	24	5	●	●	–	–	–	BB-6802-B180- <input type="text"/> - <input type="text"/>
15	28	7	●	●	–	–	–	BB-6902-B180- <input type="text"/> - <input type="text"/>
15	32	9	●	●	●	●	●	BB-6002-B180- <input type="text"/> - <input type="text"/>
15	35	11	●	●	●	●	–	BB-6202-B180- <input type="text"/> - <input type="text"/>
15	42	13	●	●	●	–	–	BB-6302-B180- <input type="text"/> - <input type="text"/>
17	23	4	●	●	–	–	–	BB-6703-B180- <input type="text"/> - <input type="text"/>
17	26	5	●	●	–	–	–	BB-6803-B180- <input type="text"/> - <input type="text"/>
17	30	7	●	●	–	–	–	BB-6903-B180- <input type="text"/> - <input type="text"/>
17	35	10	●	●	●	●	●	BB-6003-B180- <input type="text"/> - <input type="text"/>
17	40	12	●	●	●	●	–	BB-6203-B180- <input type="text"/> - <input type="text"/>
17	47	14	●	●	–	–	–	BB-6303-B180- <input type="text"/> - <input type="text"/>
20	27	4	●	●	–	–	–	BB-6704-B180- <input type="text"/> - <input type="text"/>
20	32	7	●	●	–	–	–	BB-6804-B180- <input type="text"/> - <input type="text"/>
20	37	9	●	●	–	–	–	BB-6904-B180- <input type="text"/> - <input type="text"/>
20	42	12	●	●	●	●	●	BB-6004-B180- <input type="text"/> - <input type="text"/>
20	47	14	●	●	●	●	–	BB-6204-B180- <input type="text"/> - <input type="text"/>
20	52	15	●	●	–	–	–	BB-6304-B180- <input type="text"/> - <input type="text"/>
25	32	4	●	●	–	–	–	BB-6705-B180- <input type="text"/> - <input type="text"/>
25	37	7	●	●	–	–	–	BB-6805-B180- <input type="text"/> - <input type="text"/>
25	42	9	●	●	–	–	–	BB-6905-B180- <input type="text"/> - <input type="text"/>
25	47	12	●	●	●	●	●	BB-6005-B180- <input type="text"/> - <input type="text"/>
25	52	15	●	●	●	●	–	BB-6205-B180- <input type="text"/> - <input type="text"/>
25	62	17	●	●	–	–	–	BB-6305-B180- <input type="text"/> - <input type="text"/>



Available from stock
upon request

Technical data

Size	Radial load capacity		Max. speed [rpm]	Weight				
	stat. [N]	dyn. [N]		B180/ES [g]	B180/GL [g]	PA/ES [g]	PA/GL [g]	PE/ES [g]
6706	34	41	1,000	–	–	–	–	–
6806	160	162	900	–	–	–	–	–
6906	190	193	850	–	–	–	–	–
16006	380	420	900	–	–	18.1	12.5	–
6006	380	400	1,000	–	–	35.0	24.2	–
6206	480	520	850	–	–	–	–	–
6306	520	660	750	–	–	–	–	–
6007	480	520	850	–	–	47.0	31.3	–
6008	520	660	750	–	–	56.3	39.1	–
6009	660	690	650	–	–	71.5	48.6	–
6010	740	780	600	–	–	83.1	56.4	–
6011	930	950	550	–	–	125.2	84.4	–
6012	990	1,050	500	–	–	129.6	85.6	–



Order example:

BB-6706-B180-30-ES = Thin ring bearing with race material xirodur® B180, xirodur® B180 cage and stainless steel balls

Dimensions [mm]

Inner Ø	Outer Ø	Width	Cage/ball material combination					Part No.
			B180/ES	B180/GL	PA/ES	PA/GL	PE/ES	
d1	d2	b1						
30	37	4	●	●	–	–	–	BB-6706-B180- <input type="text"/> - <input type="text"/>
30	42	7	●	●	–	–	–	BB-6806-B180- <input type="text"/> - <input type="text"/>
30	47	9	●	●	–	–	–	BB-6906-B180- <input type="text"/> - <input type="text"/>
30	55	9	–	–	●	●	–	BB-16006-B180-10- <input type="text"/>
30	55	13	●	●	●	●	–	BB-6006-B180- <input type="text"/> - <input type="text"/>
30	62	16	●	●	–	–	–	BB-6206-B180- <input type="text"/> - <input type="text"/>
30	72	19	●	●	–	–	–	BB-6306-B180- <input type="text"/> - <input type="text"/>
35	62	14	–	–	●	●	–	BB-6007-B180- <input type="text"/> - <input type="text"/>
40	68	15	–	–	●	●	–	BB-6008-B180- <input type="text"/> - <input type="text"/>
45	75	16	–	–	●	●	–	BB-6009-B180- <input type="text"/> - <input type="text"/>
50	80	16	–	–	●	●	–	BB-6010-B180- <input type="text"/> - <input type="text"/>
55	90	18	–	–	●	●	–	BB-6011-B180- <input type="text"/> - <input type="text"/>
60	95	18	–	–	●	●	–	BB-6012-B180- <input type="text"/> - <input type="text"/>



Available from stock
upon request