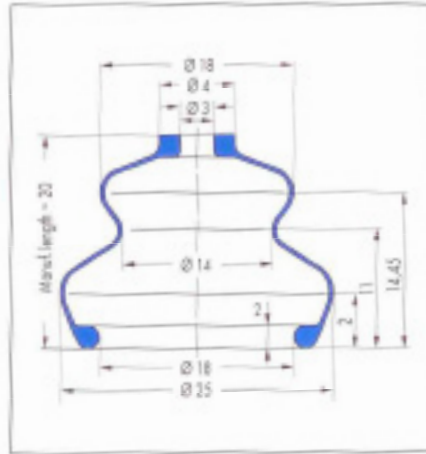
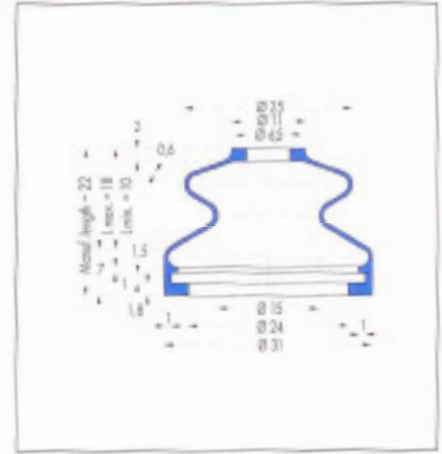


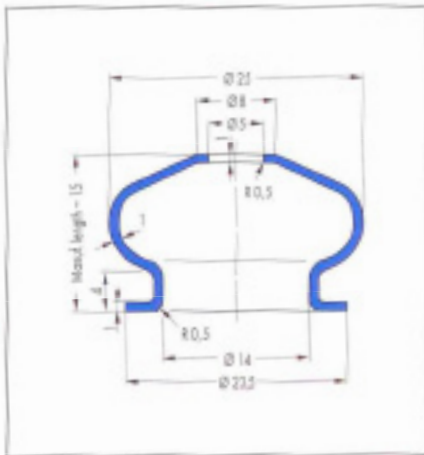
V6-469, Article No. 29676



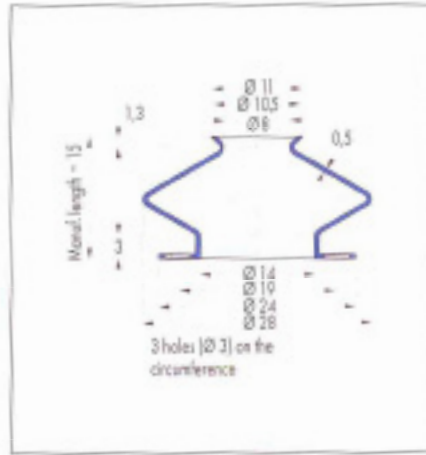
V6-1805, Article No. 401012



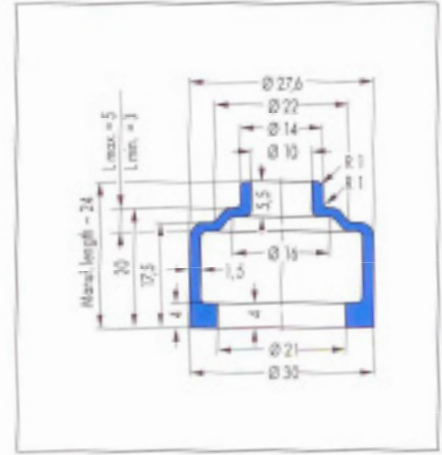
V6-1709, Article No. 440228



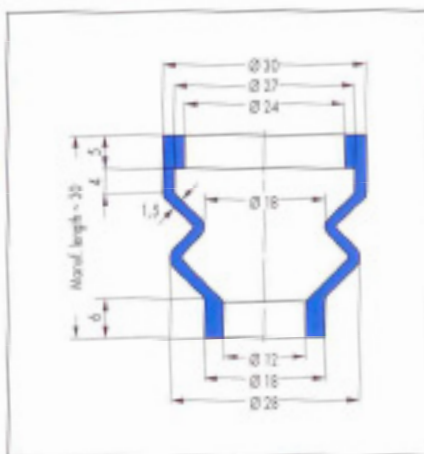
V6-889, Article No. 38373



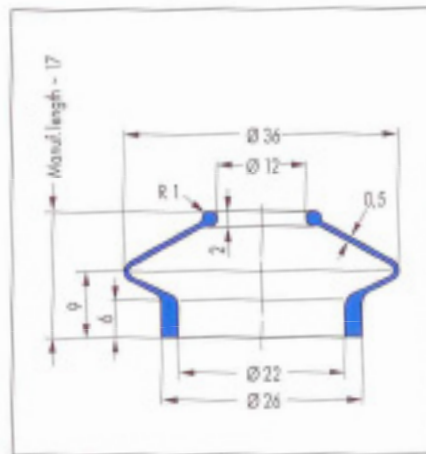
V6-395, Article No. 439476



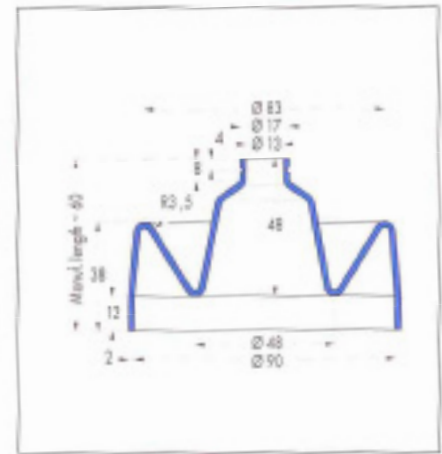
V6-814, Article No. 25226



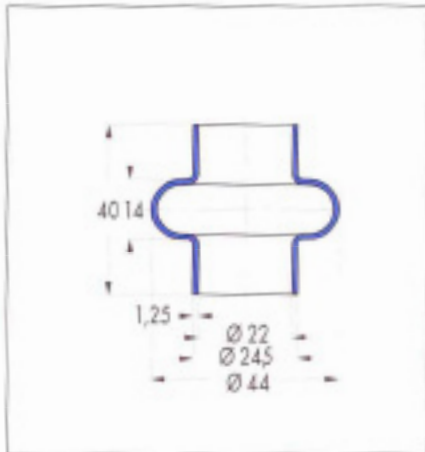
V6-1484, Article No. 129831



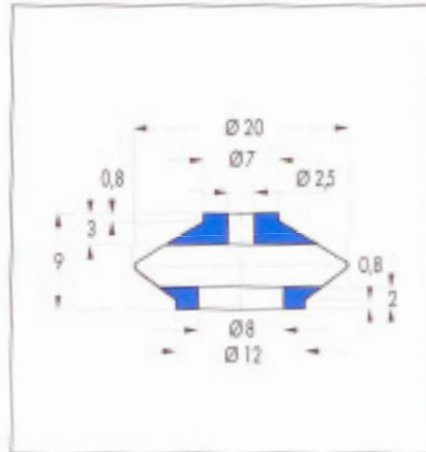
V6-672, Article No. 400800



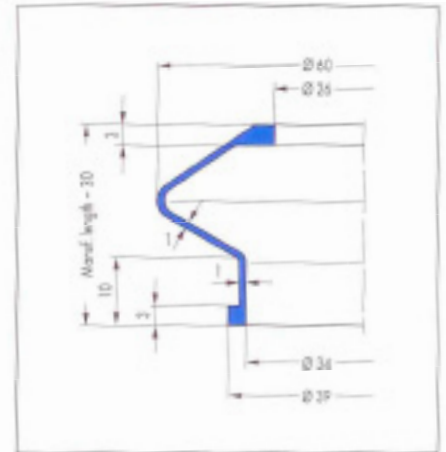
V6-614, Article No. 457504



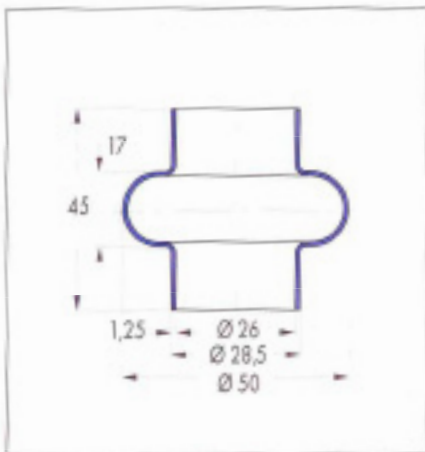
V6-85, Article No. 435479



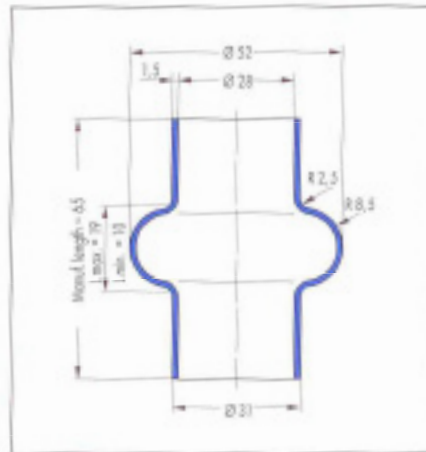
V6-414, Article No. 436702 (CR)/436705 (NBR)



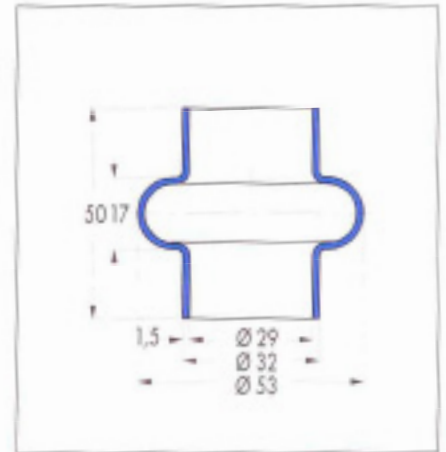
V6-1144, Article No. 372488



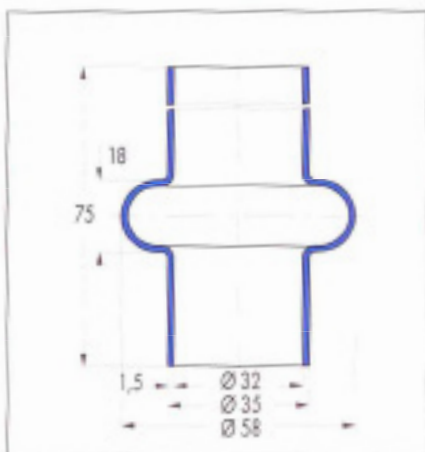
V6-37, Article No. 438518



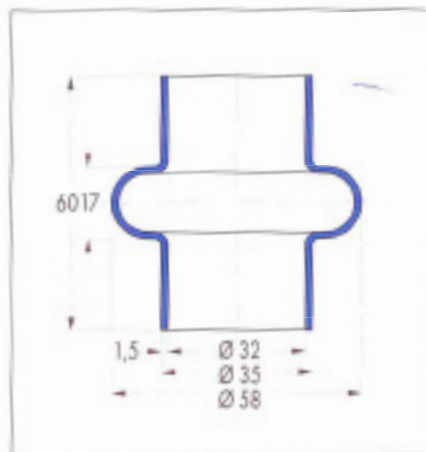
V6-285, Article No. 440303



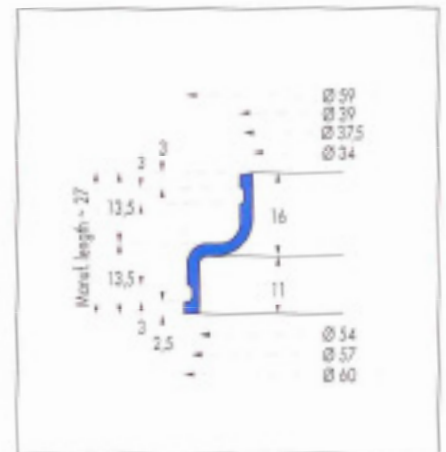
V6-86, Article No. 436928



V6-286, Article No. 434069

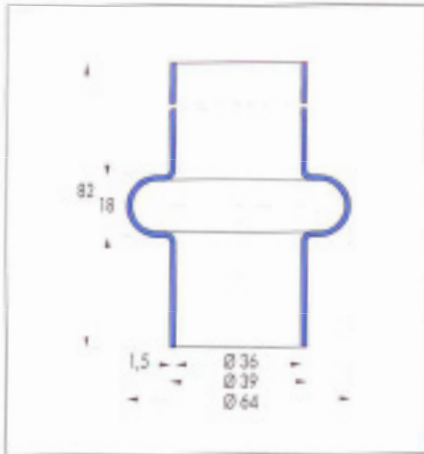


V6-87, Article No. 434024

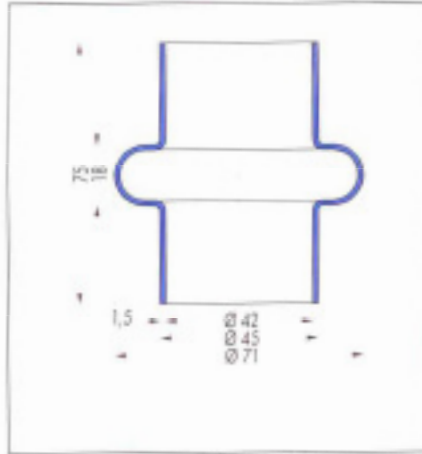


V6-1, Article No. 31657

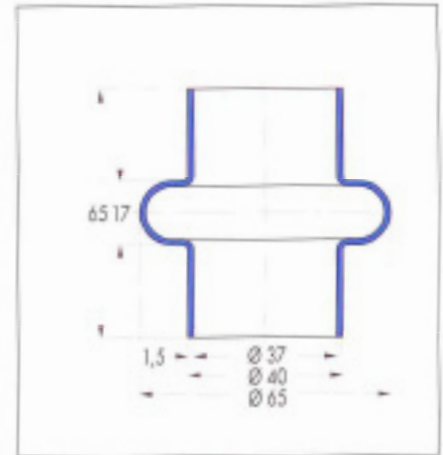
BÄLGAR



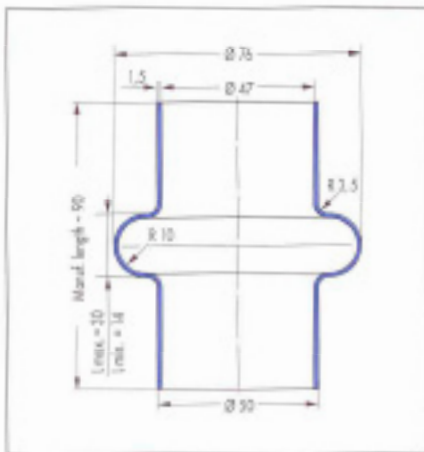
V6-287, Article No. 436921



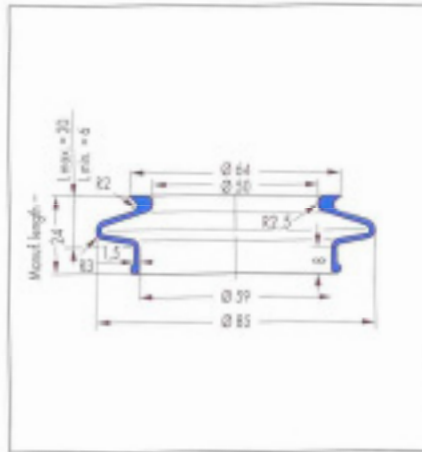
V6-67, Article No. 430851 (NBR)/430852 (CR)



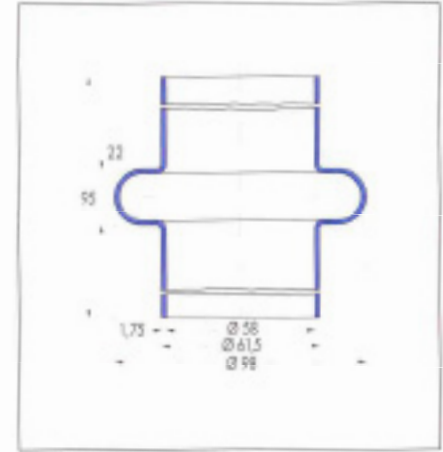
V6-88, Article No. 440321



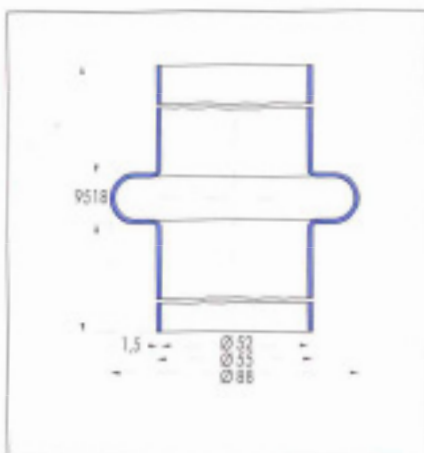
V6-70, Article No. 437106



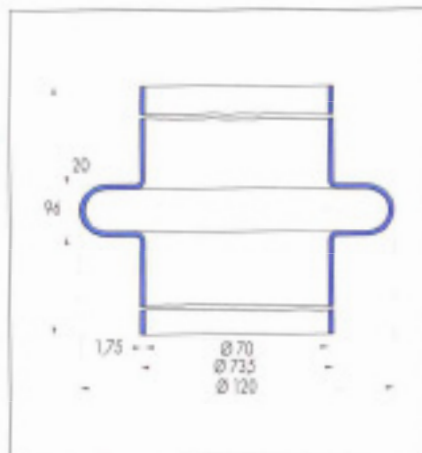
V6-2, Article No. 31658



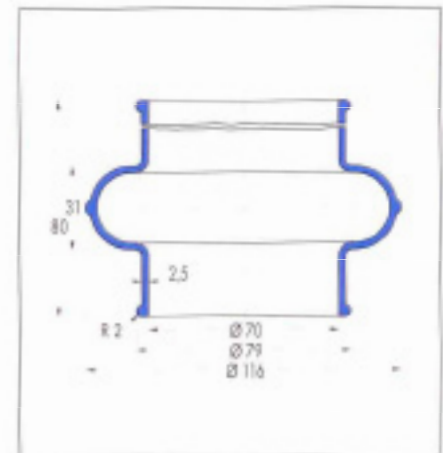
V6-101, Article No. 434009 (CR)/434013 (NBR)



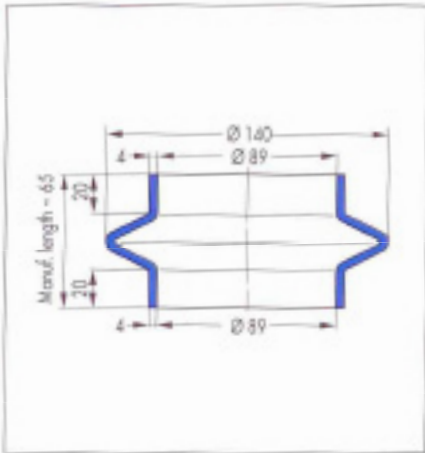
V6-89, Article No. 432921 (CR)/432923 (NBR)



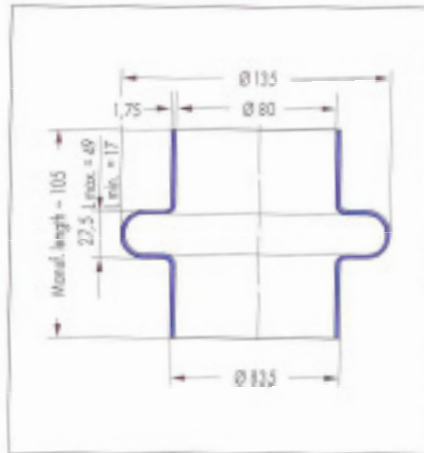
V6-102, Article No. 29269



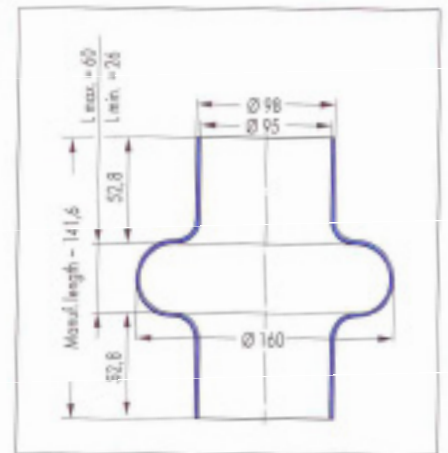
V6-246, Article No. 440301



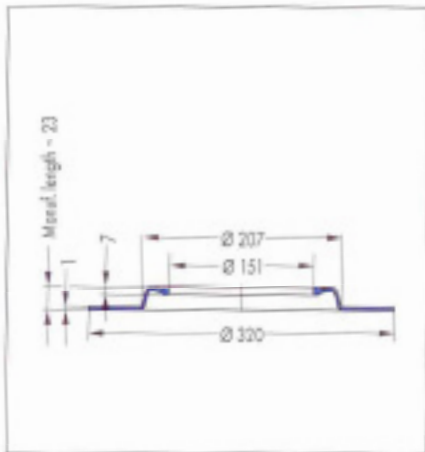
V6-602, Article No. 452723



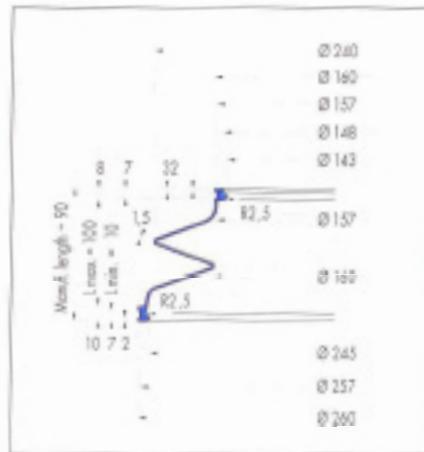
V6-103, Article No. 454461



V6-279, Article No. 400681



V6-21, Article No. 37894



V6-978, Article No. 26945