

PRODUCT GROUP

SOLID FULLY-THREADED

The product group of solid fully-threaded levelling feet is the optimal choice for heavy machinery and equipment in diverse production environments. Because of the wide variety and functionality these solid fully-threaded levelling feet offer great value-for-money and for the majority of the models a hygienic-oriented design because of the self-draining surfaces.

The reliability of the solid fully-threaded levelling feet has been appreciated by customers world-wide for more than 25 years and the current product portfolio is a result of a continuous innovative approach and market feedback.

Product Group Features

- Designed for high load and high pull
- Design and patent protected
- Wide variety in footplate design and functionality
- Unlimited customized height variations
- Several thousand different variations (weight load, height-adjustment, flexible mounting parts)
- Solid fully-threaded hygienic oriented levelling feet with self-draining surfaces and limited cleaning effort
- Optional vulcanized FDA-approved, anti-vibration, anti-slip rubber blocks out bacteria underneath the footplate
- Stainless steel AISI 304/A2, 1.4301. Optional AISI 316/A4, 1.4401
- Low-friction washer between spindle and footplate ensures easy adjustment
- Bolts, nuts, washers, welding plates and plastic bushings can be supplied



HXG/HXG AS

Special Features

- Footplate diameter Ø105 - Ø125
- Weight load up to 110.000 N
- Hygienic-oriented design due to self-draining surfaces
- Admits up to 9° slope on floors and equipment
- Optional vulcanized, FDA-approved, anti-vibration, anti-slip rubber

156



HXJT/HXJT AS

Special Features

- Footplate diameter Ø105 - Ø125
- Weight load up to 110.000 N
- Hygienic-oriented design due to self-draining surfaces
- The footplate and spindle are two separate parts
- Diametrically centered elevation on the footplate
- Admits up to 15° slope on floors and equipment
- Fixing to the floor
- Optional vulcanized, FDA-approved, anti-vibration, anti-slip rubber

162



HXJ/HXJ AS

Special Features

- Footplate diameter Ø105 - Ø125
- Weight load up to 110.000 N
- Hygienic-oriented design due to self-draining surfaces
- Admits up to 9° slope on floors and equipment
- Fixing to the floor
- Optional vulcanized, FDA-approved, anti-vibration, anti-slip rubber

158



HG/HG AS

Special Features

- Footplate diameter Ø60 - Ø150
- Weight load up to 80.000 N
- Admits up to 9° slope on floors and equipment
- Optional anti-vibration and anti-slip rubber

164



HXGT/HXGT AS

Special Features

- Footplate diameter Ø105 - Ø125
- Weight load up to 110.000 N
- Hygienic-oriented design due to self-draining surfaces
- The footplate and spindle are two separate parts
- Diametrically centered elevation on the footplate
- Admits up to 15° slope on floors and equipment
- Optional vulcanized, FDA-approved, anti-vibration, anti-slip rubber

160



HJ/HJ AS

Special Features

- Footplate diameter Ø60 - Ø150
- Weight load up to 80.000 N
- Admits up to 9° slope on floors and equipment
- Fixing to the floor
- Optional anti-vibration and anti-slip rubber

166



KG/KG AS

Special Features

- Footplate diameter Ø90 - Ø180
- Weight load up to 120.000 N
- Admits up to 8° slope on floors and equipment
- Optional anti-vibration and anti-slip rubber

168



KJ/KJ AS

Special Features

- Footplate diameter Ø90 - Ø180
- Weight load up to 120.000 N
- Admits up to 8° slope on floors and equipment
- Fixing to the floor
- Optional anti-vibration and anti-slip rubber

170



G/G AS

Special Features

- Footplate diameter Ø90 - Ø180
- Weight load up to 120.000 N
- Admits up to 1° slope on floors and equipment
- Optional anti-vibration and anti-slip rubber

172

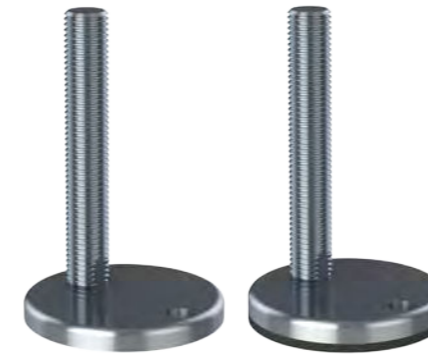


J/J AS

Special Features

- Footplate diameter Ø90 - Ø180
- Weight load up to 120.000 N
- Admits up to 1° slope on floors and equipment
- Fixing to the floor
- Optional anti-vibration and anti-slip rubber

174



CF/CF AS

Special Features

- Footplate diameter Ø110 - Ø180
- Weight load up to 120.000 N
- Decentered spindle in the footplate
- Admits up to 1° slope on floors and equipment
- Fixing to the floor
- Optional anti-vibration and anti-slip rubber

176



KCF/KCF AS

Special Features

- Footplate diameter Ø110
- Weight load up to 100.000 N
- Decentered spindle in the footplate
- Admits up to 8° slope on floors and equipment
- Fixing to the floor
- Optional anti-vibration and anti-slip rubber

178



KT/KT AS

Special Features

- Footplate diameter Ø90 - Ø180
- Weight load up to 200.000 N
- The footplate and spindle are two separate parts
- Diametrically centered depression in the footplate
- Admits up to 20° slope on floors and equipment
- Optional anti-vibration and anti-slip rubber

180



HGT/HGT AS

Special Features

- Footplate diameter Ø90 - Ø110
- Weight load up to 300.000 N
- The footplate and spindle are two separate parts
- Diametrically centered elevation on the footplate
- Admits up to 15° slope on floors and equipment
- Optional anti-vibration and anti-slip rubber

182

ACCESSORIES

SOLID FULLY-THREADED

NGI is able to deliver all necessary accessories, which ensures a quick and easy installation of the levelling foot. In addition to supplying standardized accessories we are also able to supply customized accessories.



NUTS & WASHERS

- Stainless steel AISI 304/A2, 1.4301
- Standard nuts (DIN 934)
- Standard counter nuts (DIN 439)
- Standard flat washers (DIN 125)
- Standard fender washers (DIN 9010)
- All dimensions available

264



WELDING PLATES

- Stainless steel AISI 304/A2, 1.4301
- Squared welding plates
- Round welding plates
- All dimensions available

268



PLASTIC BUSHINGS

- Squared plastic bushings
- Round plastic bushings
- Many dimensions available

270

INSTRUCTIONS



DECLARATION OF CONFORMITY

This declaration of conformity lists all the directives and standards that NGI adheres to. This ensures that products from NGI are always in compliance with currently valid requirements.

184



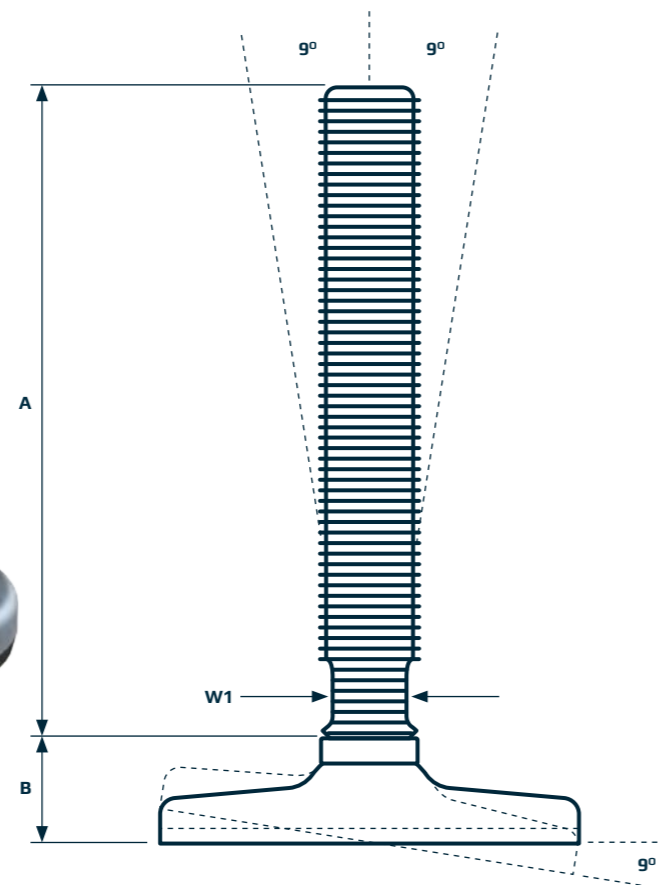
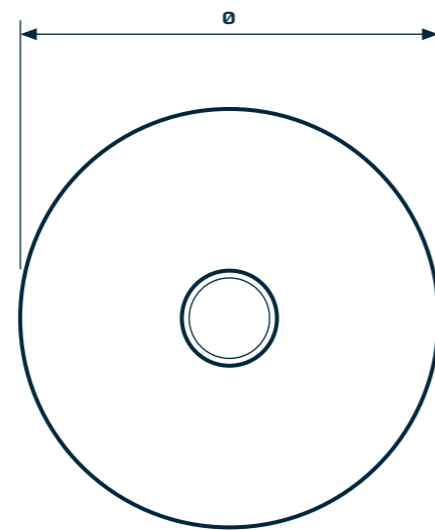
SOLID FULLY-THREADED HXG/HXG AS

The design and patent protected solid HXG and HXG AS levelling foot is the optimal choice for heavy machinery and equipment in diverse production environments and the most hygienic solid fully-threaded levelling foot.

Reduced cleaning effort is obtained by the hygienic-oriented design with self-draining surfaces.

The joined connection between the spindle and the footplate is designed for high load and high pull, and the low-friction washer between the spindle and footplate ensures easy adjustment under high pressure.

The HXG AS is supplied with vulcanized FDA-approved, anti-vibration, anti-slip rubber, which blocks out bacteria underneath the footplate and creates a hygienic seal to the floor.



SOLID FULLY-THREADED LEVELLING FEET HXG/HXG AS



PRODUCT CODE	FOOT - THREAD - SPINDLE TYPE
EXAMPLE	HXG105-16-070

FOOT PLATE



TYPE	DIAMETER Ø [mm]	HEIGHT B [mm]	NOM LOAD COMPRESSION [N]	ITEM CODE
105	104	26	110.000	HXG105
105AS	104	31	110.000	HXG105AS
125	124	26	110.000	HXG125
125AS	124	31	110.000	HXG125AS

SPINDLE



TYPE ▶	70	100	150	180	230	310	W1 [mm]
THREAD	[N]	[N]	[N]	[N]	[N]	[N]	
M12	-	-	-	-	-	-	-
M16	32.000	32.000	29.000	20.000	12.500	7.500	13
M20	49.000	49.000	49.000	48.000	30.000	15.000	17
M24	-	70.000	70.000	70.000	65.000	35.000	19
* M30	-	112.500	112.500	112.500	112.500	95.000	24
* M36	-	162.000	162.000	162.000	162.000	162.000	30
* M42	-	220.000	220.000	220.000	220.000	220.000	36
HEIGHT A [mm] ▶	??	107	162	195	244	327	



Total height = A + B
 Maximum nominal load = Lowest value for footplate or spindle
 Tolerance of height A = +/-1,5 mm
 AS = Anti-Slip

* Adjust A +4 mm and B -4 mm if footplate is combined with spindle M30, M36 or M42

SOLID FULLY-THREADED HXJ/HXJ AS

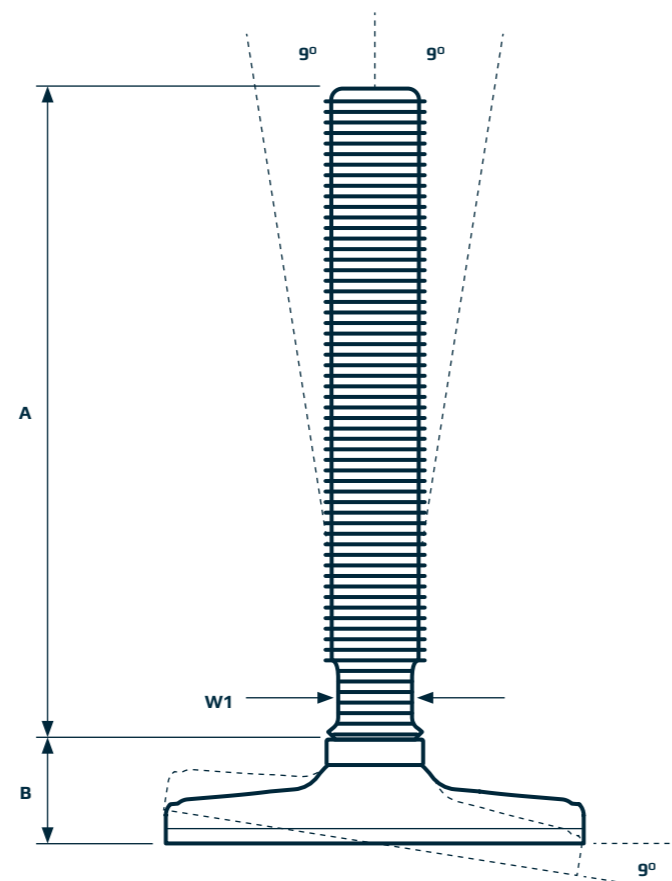
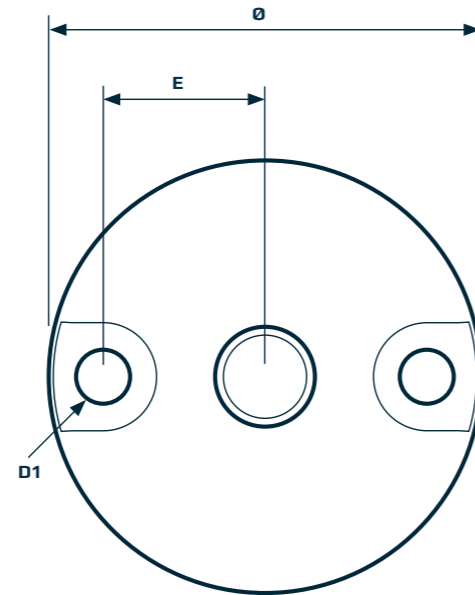
The design and patent protected solid HXJ and HXJ AS levelling foot is the optimal choice for heavy machinery and equipment in diverse production environments.

Reduced cleaning effort is obtained by the hygienic-oriented design with self-draining surfaces.

It is the most hygienic solid fully-threaded levelling foot that can be fastened to the floor by the two fixing holes in the footplate. Bolts, nuts and washers can be supplied.

The joined connection between the spindle and the footplate is designed for high load and high pull, and the low-friction washer between the spindle and footplate ensures easy adjustment under high pressure.

The HXJ AS is supplied with vulcanized FDA-approved, anti-vibration, anti-slip rubber, which blocks out bacteria underneath the footplate and creates a hygienic seal to the floor.



SOLID FULLY-THREADED LEVELLING FEET HXJ/HXJ AS



FOOT PLATE



SPINDLE



PRODUCT CODE	FOOT - THREAD - SPINDLE TYPE
EXAMPLE	HXJ105-16-070

TYPE	DIAMETER Ø [mm]	HEIGHT B [mm]	HOLE POSITION E [mm]	HOLE DIAMETER D1 [mm]	NOM LOAD COMPRESSION [N]	ITEM CODE
105	104	26	38	13	110.000	HXJ105
105AS	104	31	38	13	100.000	HXJ105AS
125	124	26	47	13	110.000	HXJ125
125AS	124	31	47	13	110.000	HXJ125AS

TYPE ▶	70	100	150	180	230	310	W1 [mm]
THREAD	[N]	[N]	[N]	[N]	[N]	[N]	
M12	-	-	-	-	-	-	-
M16	32.000	32.000	29.000	20.000	12.500	7.500	13
M20	49.000	49.000	49.000	48.000	30.000	15.000	17
M24	-	70.000	70.000	70.000	65.000	35.000	19
* M30	-	112.500	112.500	112.500	112.500	95.000	24
* M36	-	162.000	162.000	162.000	162.000	162.000	30
* M42	-	220.000	220.000	220.000	220.000	220.000	36
HEIGHT ▶ A [mm]	-	107	162	195	244	327	



Total height = A + B
 Maximum nominal load = Lowest value for footplate or spindle
 Tolerance of height A = +/-1,5 mm
 AS = Anti-Slip

* Adjust A +4 mm and B -4 mm if footplate is combined with spindle M30, M36 or M42

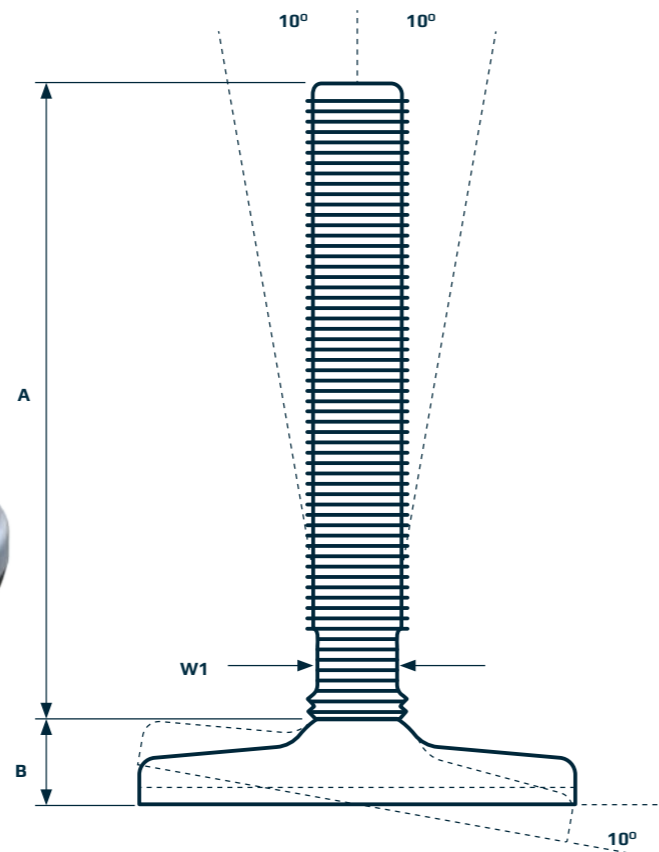
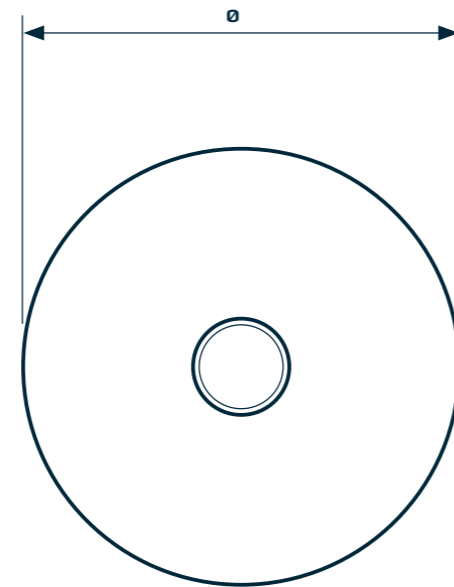
SOLID FULLY-THREADED HXGT/HXGT AS

The design and patent protected solid HXGT and HXGT AS levelling foot is the optimal choice for heavy machinery and equipment in diverse production environments and the most hygienic solid fully-threaded levelling foot.

The HXGT and HXGT AS consist of a separated footplate and spindle connected by the diametrically centered elevation on the footplate.

Reduced cleaning effort is obtained by the hygienic-oriented design with self-draining surfaces.

The HXGT AS is supplied with vulcanized FDA-approved, anti-vibration, anti-slip rubber, which blocks out bacteria underneath the footplate and creates a hygienic seal to the floor.



FOOT PLATE



SPINDLE



SOLID FULLY-THREADED LEVELLING FEET HXGT/HXGT AS

PRODUCT CODE	FOOT - THREAD - SPINDLE TYPE
EXAMPLE	HXGT105-24-070

TYPE	DIAMETER Ø [mm]	HEIGHT B [mm]	NOM LOAD COMPRESSION [N]	ITEM CODE
105	104	21	110.000	HXGT105
105AS	104	26	110.000	HXGT105AS
125	124	21	110.000	HXGT125
125AS	124	26	110.000	HXGT125AS

TYPE ▶	70	100	150	180	230	310	W1 [mm]
THREAD	[N]	[N]	[N]	[N]	[N]	[N]	
* M24	70.000	70.000	70.000	70.000	65.000	35.000	19
** M30	112.500	112.500	112.500	112.500	112.500	95.000	24
** M36	-	162.000	162.000	162.000	162.000	162.000	30
** M42	-	220.000	220.000	220.000	220.000	220.000	36
HEIGHT A [mm]	70	100	150	180	230	310	



Total height = A + B
 Maximum nominal load = Lowest value for footplate or spindle
 Tolerance of height A = +/-1,5 mm
 AS = Anti-Slip

* Adjust A +1 mm and B -1 mm if footplate is combined with spindle M24
 ** Adjust A +2 mm and B -2 mm if footplate is combined with spindle M30, M36 or M42

SOLID FULLY-THREADED HXJT/HXJT AS

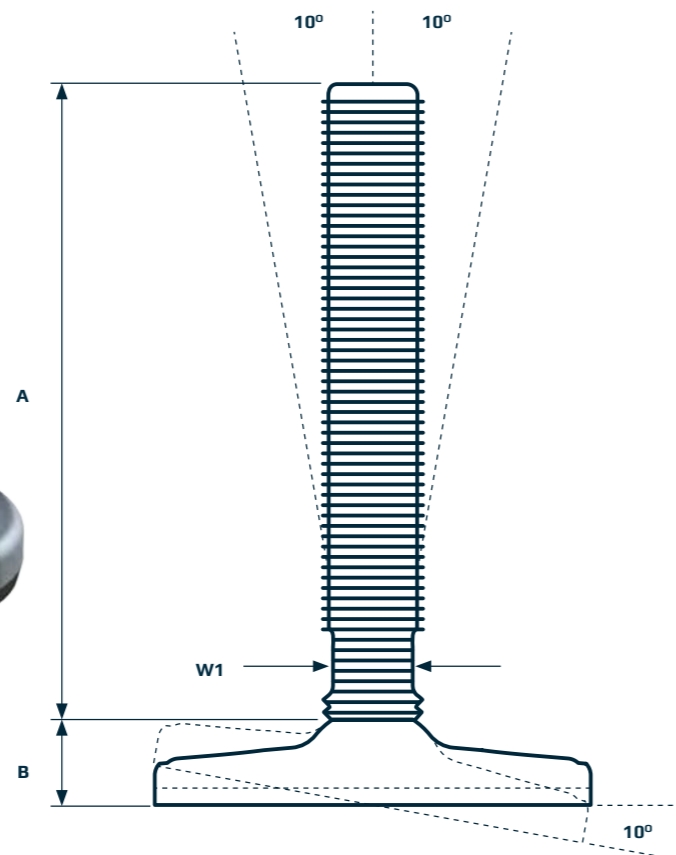
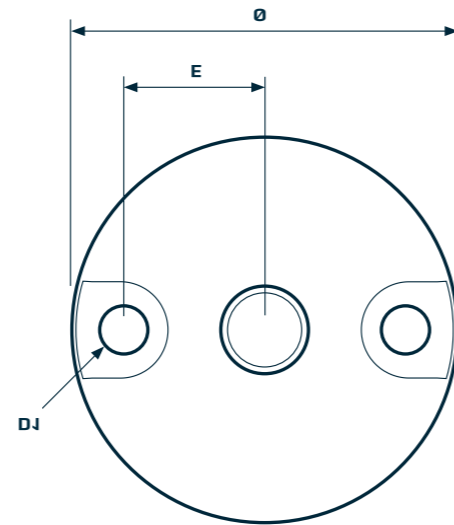
The design and patent protected solid HXJT and HXJT AS levelling foot is the optimal choice for heavy machinery and equipment in diverse production environments and the most hygienic solid fully-threaded levelling foot.

The HXJT and HXJT AS consist of a separated footplate and spindle connected by the diametrically centered elevation on the footplate.

The foot can be fastened to the floor by the two fixing holes in the footplate. Bolts, nuts and washers can be supplied.

Reduced cleaning effort is obtained by the hygienic-oriented design with self-draining surfaces.

The HXJT AS is supplied with vulcanized FDA-approved, anti-vibration, anti-slip rubber, which blocks out bacteria underneath the footplate and creates a hygienic seal to the floor.



FOOT PLATE



SPINDLE



PRODUCT CODE	FOOT - THREAD - SPINDLE TYPE
EXAMPLE	HXGT105-24-070

TYPE	DIAMETER Ø [mm]	HEIGHT B [mm]	NOM LOAD COMPRESSION [N]	ITEM CODE
105	104	21	110.000	HXGT105
105AS	104	26	110.000	HXGT105AS
125	124	21	110.000	HXGT125
125AS	124	26	110.000	HXGT125AS

TYPE ▶	70	100	150	180	230	310	W1 [mm]
THREAD	[N]	[N]	[N]	[N]	[N]	[N]	
* M24	70.000	70.000	70.000	70.000	65.000	35.000	19
** M30	112.500	112.500	112.500	112.500	112.500	95.000	24
** M36	-	162.000	162.000	162.000	162.000	162.000	30
** M42	-	220.000	220.000	220.000	220.000	220.000	36
HEIGHT A [mm] ▶	70	100	150	180	230	310	



Total height = A + B
 Maximum nominal load = Lowest value for footplate or spindle
 Tolerance of height A = +/-1,5 mm
 AS = Anti-Slip

* Adjust A +1 mm and B -1 mm if footplate is combined with spindle M24
 ** Adjust A +2 mm and B -2 mm if footplate is combined with spindle M30, M36 or M42

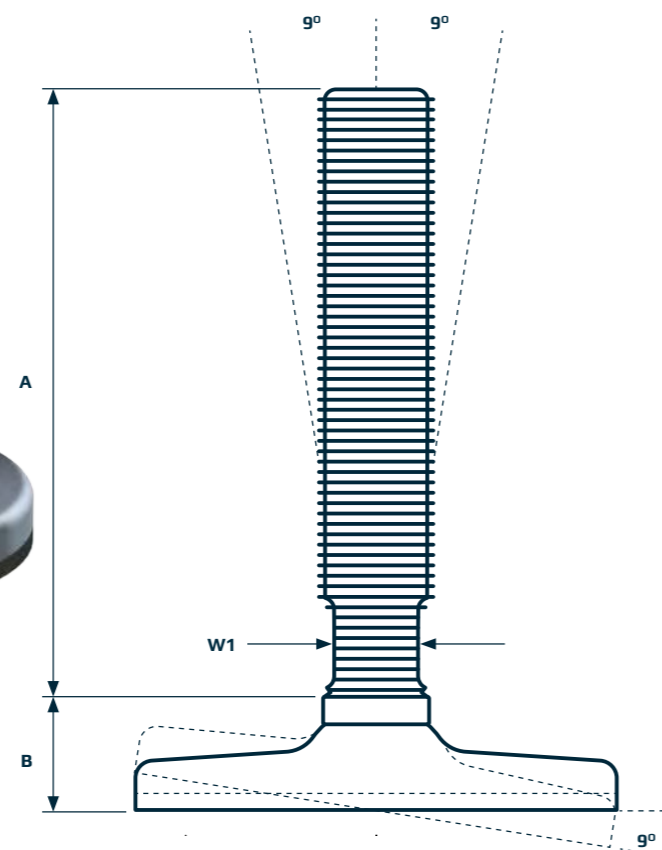
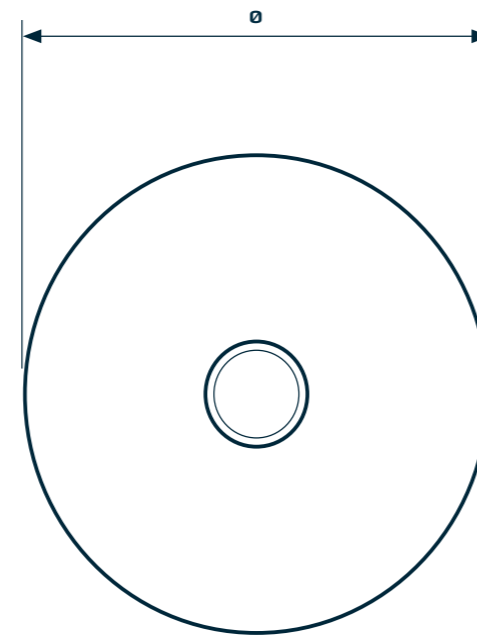
SOLID FULLY-THREADED HG/HG AS

The solid HG levelling foot is the optimal choice for heavy machinery and equipment in diverse production environments.

Reduced cleaning effort is obtained by the hygienic-oriented design with self-draining surfaces.

The joined connection between the spindle and the footplate is designed for high load and high pull, and the low-friction washer between the spindle and footplate ensures easy adjustment under high pressure.

The HG AS is supplied with anti-vibration and anti-slip NBR rubber (by request EPDM).



SOLID FULLY-THREADED LEVELLING FEET HG/HG AS



FOOT PLATE



SPINDLE



PRODUCT CODE	FOOT - THREAD - SPINDLE TYPE
EXAMPLE	HG060-12-070

TYPE	DIAMETER Ø [mm]	HEIGHT B [mm]	NOM LOAD COMPRESSION [N]	ITEM CODE
60	59	26	80.000	HG060
60AS	59	31	30.000	HG60AS
70	69	26	80.000	HG070
70AS	69	31	30.000	HG70AS
90	89	26	80.000	HG090
90AS	89	31	30.000	HG90AS
110	109	26	80.000	HG110
110AS	109	31	30.000	HG110AS
150	149	26	80.000	HG150
150AS	149	31	30.000	HG150AS

TYPE	70	100	150	180	230	310	W1 [mm]
THREAD	[N]	[N]	[N]	[N]	[N]	[N]	
M12	17.000	17.000	8.000	5.000	3.000	-	10
M16	-	32.000	29.000	20.000	12.500	7.500	13
M20	-	49.000	49.000	48.000	30.000	15.000	17
M24	-	70.000	70.000	70.000	65.000	35.000	19
* M30	-	112.500	112.500	112.500	112.500	95.000	24
* M36	-	162.000	162.000	162.000	162.000	162.000	30
* M42	-	220.000	220.000	220.000	220.000	220.000	36
HEIGHT A [mm]	70	97	139	172	222	300	

Total height = A + B
 Maximum nominal load = Lowest value for footplate or spindle
 Tolerance of height A = +/-1,5 mm
 AS = Anti-Slip

* Adjust A +6 mm and B -6 mm if footplate is combined with spindle M30, M36 or M42

SOLID FULLY-THREADED HJ/HJ AS

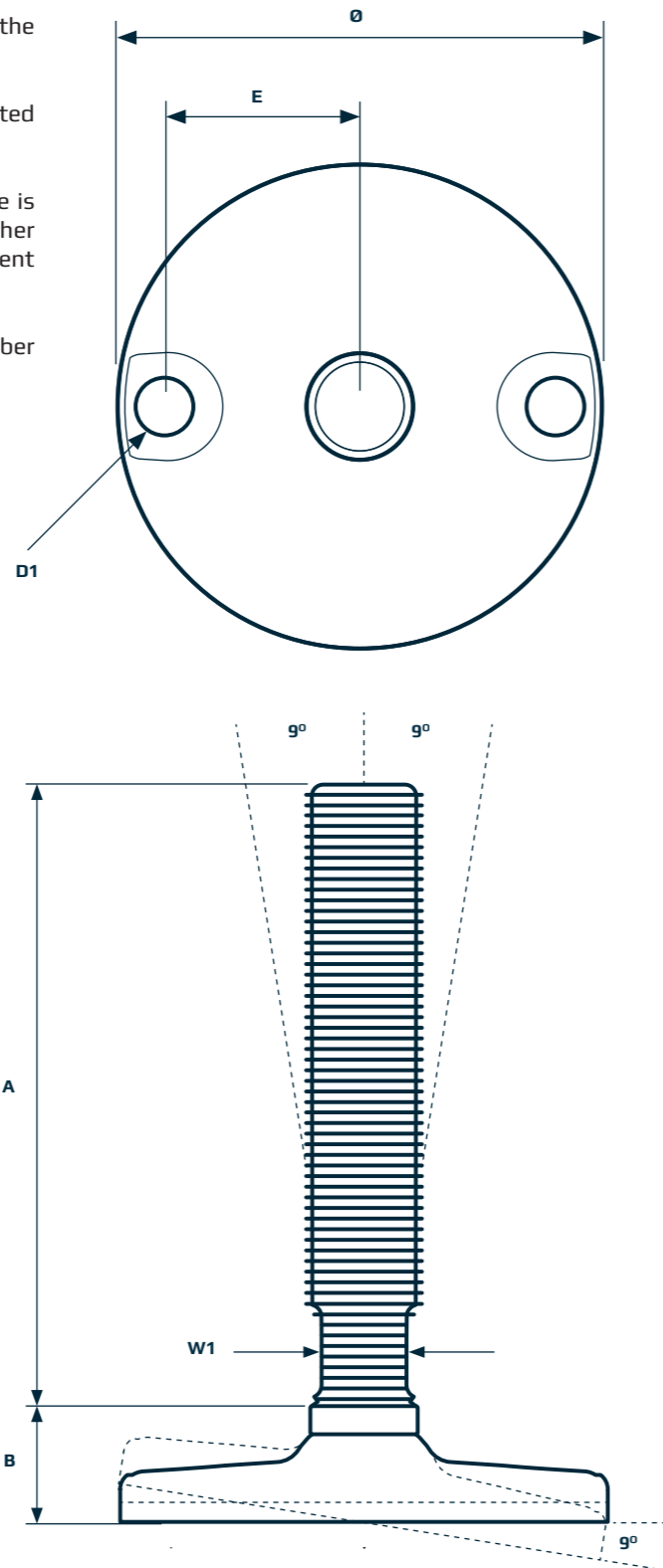
The solid HJ levelling foot is the optimal choice for heavy machinery and equipment in diverse production environments.

The foot can be fastened to the floor by the two fixing holes in the footplate. Bolts, nuts and washers can be supplied.

Reduced cleaning effort is obtained by the hygienic-oriented design with self-draining surfaces.

The joined connection between the spindle and the footplate is designed for high load and high pull, and the low-friction washer between the spindle and footplate ensures easy adjustment under high pressure.

The HJ AS is supplied with anti-vibration and anti-slip NBR rubber (by request EPDM).



SOLID FULLY-THREADED LEVELLING FEET HJ/HJ AS



FOOT PLATE



SPINDLE



PRODUCT CODE	FOOT - THREAD - SPINDLE TYPE
EXAMPLE	HJ080-12-070

TYPE	DIAMETER		HEIGHT		HOLE POSITION		HOLE DIAMETER		NOM LOAD COMPRESSION [N]	ITEM CODE
	Ø [mm]	B [mm]	B [mm]	E [mm]	E [mm]	D1 [mm]				
80	79	26	27	8,5	80.000	HJ080				
80AS	79	31	27	8,5	30.000	HJ080AS				
90	89	26	32	13,0	80.000	HJ090				
90AS	89	31	32	13,0	30.000	HJ090AS				
110	109	26	44	13,0	80.000	HJ110				
110AS	109	31	44	13,0	30.000	HJ110AS				
150	149	26	62	16,0	80.000	HJ150				
150AS	149	31	62	16,0	30.000	HJ150AS				

TYPE ▶	70	100	150	180	230	310	W1 [mm]
THREAD	[N]	[N]	[N]	[N]	[N]	[N]	
M12	17.000	17.000	8.000	5.000	3.000	-	10
M16	-	32.000	29.000	20.000	12.500	7.500	13
M20	-	49.000	49.000	48.000	30.000	15.000	17
M24	-	70.000	70.000	70.000	65.000	35.000	19
* M30	-	112.500	112.500	112.500	112.500	95.000	24
* M36	-	162.000	162.000	162.000	162.000	162.000	30
* M42	-	220.000	220.000	220.000	220.000	220.000	36
HEIGHT ▶ A [mm]	70	97	139	172	222	300	

Total height = A + B
 Maximum nominal load = Lowest value for footplate or spindle
 Tolerance of height A = +/-1,5 mm
 AS = Anti-Slip

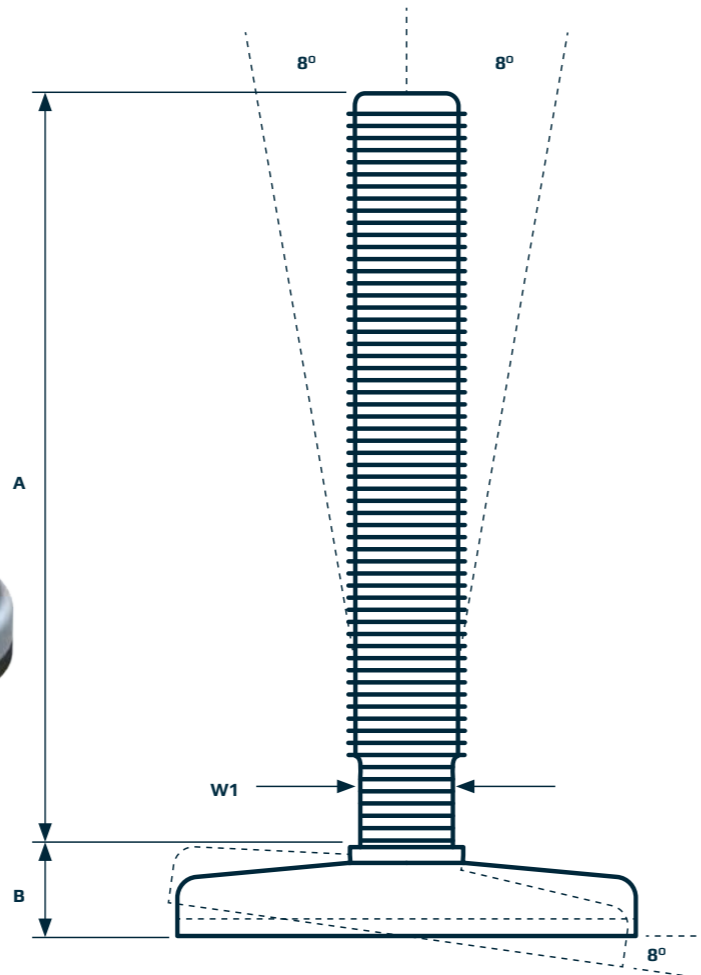
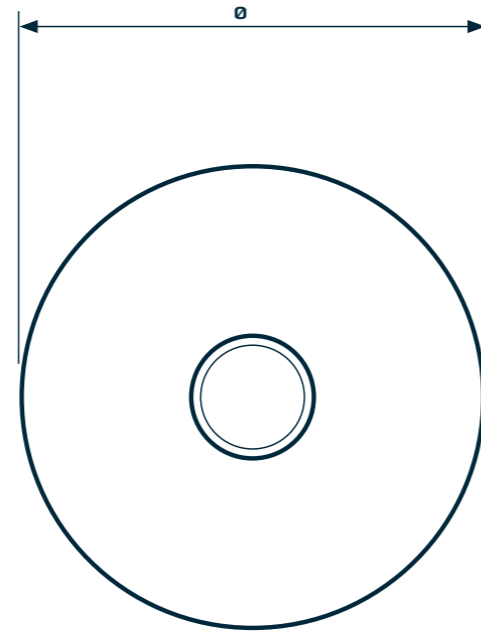
* Adjust A +6 mm and B -6 mm if footplate is combined with spindle M30, M36 or M42

SOLID FULLY-THREADED KG/KG AS

The solid KG levelling foot is the optimal choice for heavy machinery and equipment in diverse production environments.

The joined connection between the spindle and the footplate is designed for very high load and high pull.

The KG AS is supplied with anti-vibration and anti-slip NBR rubber (by request EPDM).



FOOT PLATE



SPINDLE



SOLID FULLY-THREADED LEVELLING FEET KG/KG AS

PRODUCT CODE	FOOT - THREAD - SPINDLE TYPE
EXAMPLE	KG090 - 12 - 070

TYPE	DIAMETER Ø [mm]	HEIGHT B [mm]	NOM LOAD COMPRESSION [N]	ITEM CODE
90	89	17	70.000	KG090
90AS	89	22	30.000	KG090AS
110	109	17	70.000	KG110
110AS	109	22	30.000	KG110AS
150	149	19	120.000	KG150
150AS	149	24	30.000	KG150AS
180	179	20	120.000	KG180
180AS	179	25	30.000	KG180AS

TYPE ▶	70	100	150	180	230	310	W1 [mm]
THREAD	[N]	[N]	[N]	[N]	[N]	[N]	
* M12	17.000	17.000	8.000	5.000	3.000	-	10
M16	-	32.000	29.000	20.000	12.500	7.500	13
M20	-	49.000	49.000	48.000	30.000	15.000	17
** M24	-	70.000	70.000	70.000	65.000	35.000	19
** M30	-	112.500	112.500	112.500	112.500	95.000	24
** M36	-	162.000	162.000	162.000	162.000	162.000	30
** M42	-	220.000	220.000	220.000	220.000	220.000	36
HEIGHT ▶ A [mm]	70	102	144	177	227	310	

Total height = A + B
 Maximum nominal load = Lowest value for footplate or spindle
 Tolerance of height A = +/- 1,5 mm
 AS = Anti-Slip

* M12 spindle not supplied for KG150 and KG180 footplates
 ** Adjust A -2 mm and B +2 mm if footplate is combined with spindle M24, M30, M36 or M42

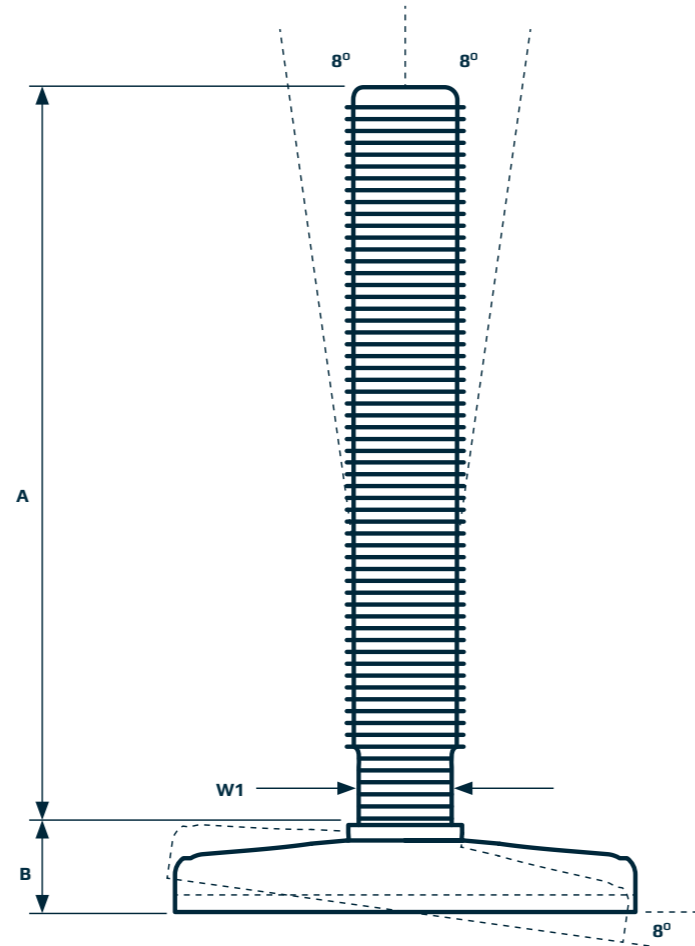
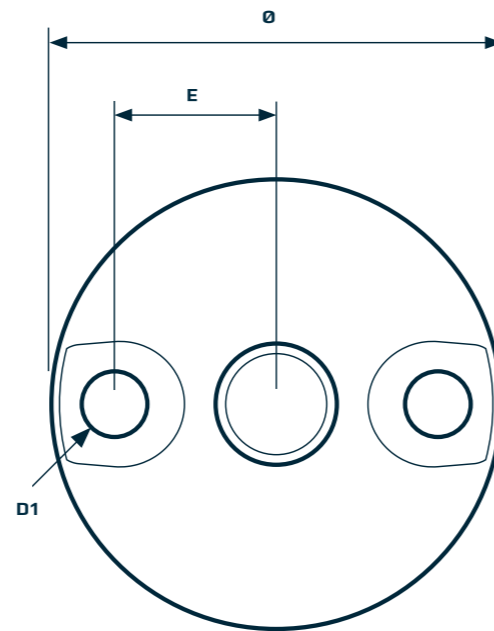
SOLID FULLY-THREADED KJ/KJ AS

The solid KG levelling foot is the optimal choice for heavy machinery and equipment in diverse production environments.

The foot can be fastened to the floor by the two fixing holes in the footplate. Bolts, nuts and washers can be supplied.

The joined connection between the spindle and the footplate is designed for very high load and high pull.

The KJ AS is supplied with anti-vibration and anti-slip NBR rubber (by request EPDM).



FOOT PLATE



SPINDLE



SOLID FULLY-THREADED LEVELLING FEET KJ/KJ AS

PRODUCT CODE	FOOT - THREAD - SPINDLE TYPE
EXAMPLE	KJ090-12-070

TYPE	DIAMETER Ø [mm]	HEIGHT B [mm]	HOLE POSITION E [mm]	HOLE DIAMETER D1 [mm]	NOM LOAD COMPRESSION [N]	ITEM CODE
90	89	17	32	13	70.000	KJ090
90AS	89	22	32	13	30.000	KJ090AS
110	109	17	44	13	70.000	KJ110
110AS	109	22	44	13	30.000	KJ110AS
150	149	19	62	16	120.000	KJ150
150AS	149	24	62	16	30.000	KJ150AS
180	179	20	74	16	120.000	KJ180
180AS	179	25	74	16	30.000	KJ180AS

TYPE ▶	70	100	150	180	230	310	W1 [mm]
THREAD	[N]	[N]	[N]	[N]	[N]	[N]	
* M12	17.000	17.000	8.000	5.000	3.000	-	10
M16	-	32.000	29.000	20.000	12.500	7.500	13
M20	-	49.000	49.000	48.000	30.000	15.000	17
** M24	-	70.000	70.000	70.000	65.000	35.000	19
** M30	-	112.500	112.500	112.500	112.500	95.000	24
** M36	-	162.000	162.000	162.000	162.000	162.000	30
** M42	-	220.000	220.000	220.000	220.000	220.000	36
HEIGHT ▶ A [mm]	70	102	144	177	227	310	

Total height = A + B
 Maximum nominal load = Lowest value for footplate or spindle
 Tolerance of height A = +/-1,5 mm
 AS = Anti-Slip

* M12 spindle not supplied for footplate KJ150 and KJ180
 ** Adjust A -2 mm and B +2 mm if footplate is combined with spindle M24, M30, M36 or M42

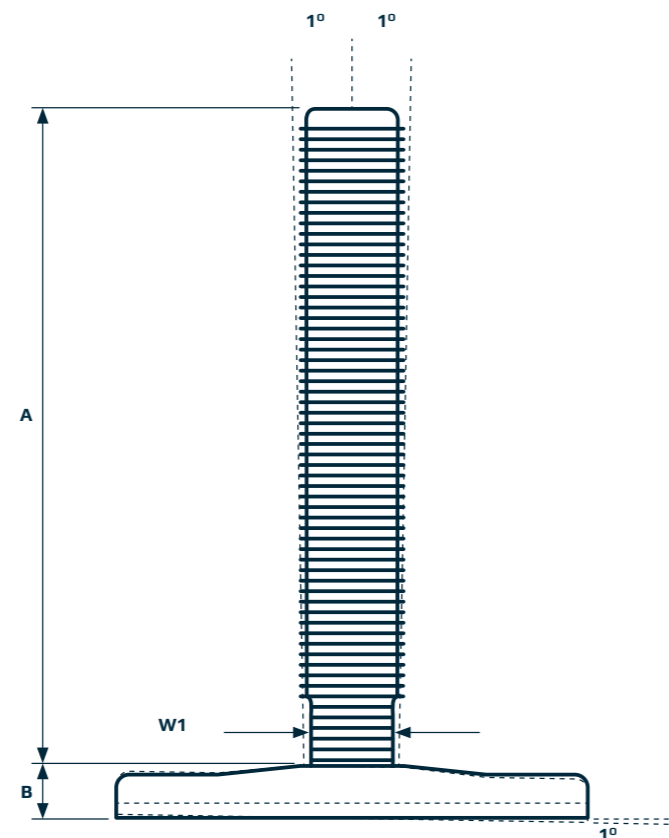
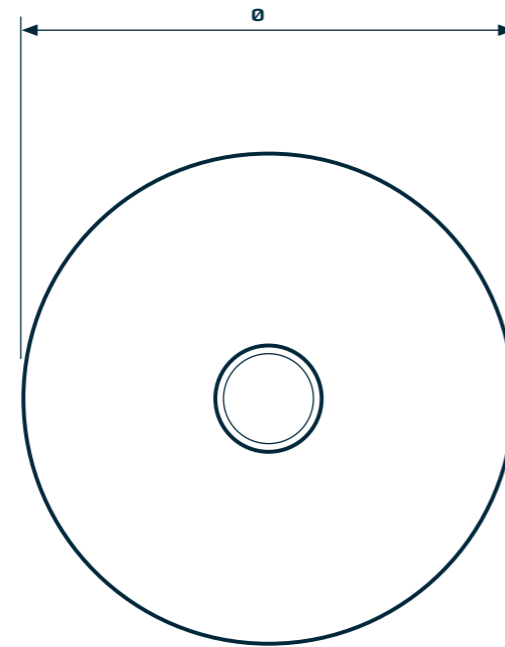


SOLID FULLY-THREADED G/G AS

The solid G levelling foot is the optimal choice for heavy machinery and equipment in diverse production environments.

The joined connection between the spindle and the footplate is designed for very high load and high pull and fixed mounting on horizontal surfaces.

The G AS is supplied with anti-vibration and anti-slip NBR rubber (by request EPDM).



FOOT PLATE



SPINDLE



SOLID FULLY-THREADED LEVELLING FEET G/G AS

PRODUCT CODE	FOOT - THREAD - SPINDLE TYPE
EXAMPLE	G090 - 16 - 100

TYPE	DIAMETER Ø [mm]	HEIGHT B [mm]	NOM LOAD COMPRESSION [N]	ITEM CODE
90	89	12	70.000	G090
90AS	89	17	30.000	G090AS
110	109	12	70.000	G110
110AS	109	17	30.000	G110AS
150	149	12	100.000	G150
150AS	149	17	30.000	G150AS
180	179	14	120.000	G180
180AS	179	19	30.000	G180AS

TYPE ▶	100	150	180	230	W1 [mm]
THREAD	[N]	[N]	[N]	[N]	
M16	32.000	29.000	20.000	12.500	13
M20	49.000	49.000	48.000	30.000	17
M24	70.000	70.000	70.000	65.000	19
* M30	112.500	112.500	112.500	112.500	24
* M36	162.000	162.000	162.000	162.000	30
* M42	220.000	220.000	220.000	220.000	36
HEIGHT ▶ A [mm]	96	152	185	234	

Total height = A + B
 Maximum nominal load = Lowest value for footplate or spindle
 Tolerance of height A = +/-1,5 mm
 AS = Anti-Slip

* Adjust A -2 mm and B +2 mm if footplate is combined with spindle M24, M30, M36 or M42



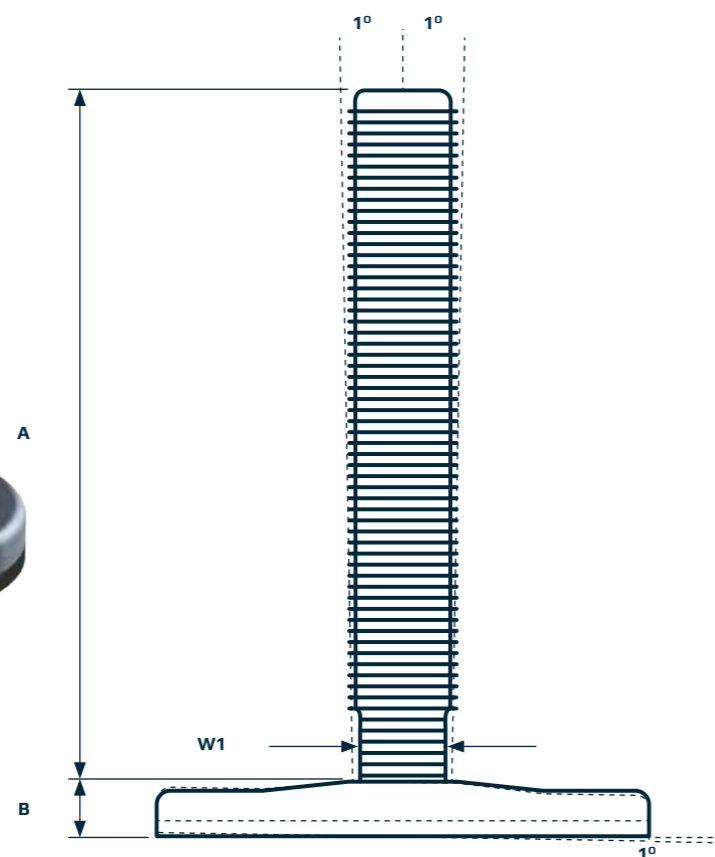
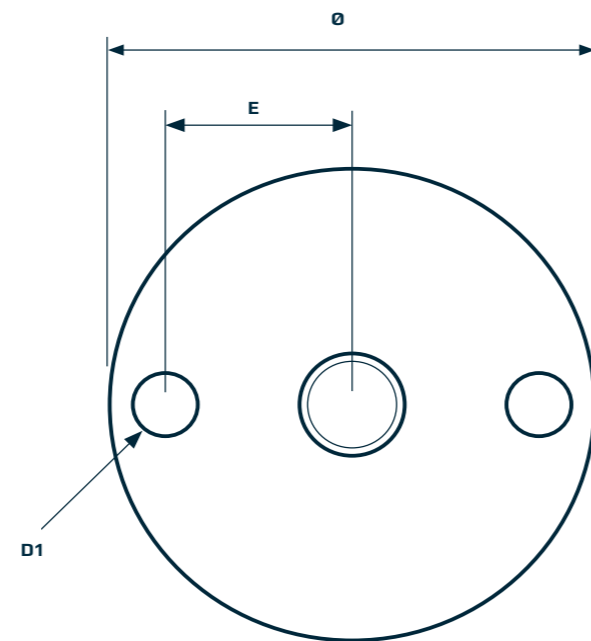
SOLID FULLY-THREADED J/J AS

The solid J levelling foot is the optimal choice for heavy machinery and equipment in diverse production environments.

The foot can be fastened to the floor by the two fixing holes in the footplate. Bolts, nuts and washers can be supplied.

The joined connection between the spindle and the footplate is designed for very high load and high pull and fixed mounting on horizontal surfaces.

The J AS is supplied with anti-vibration and anti-slip NBR rubber (by request EPDM).



SOLID FULLY-THREADED LEVELLING FEET J/J AS



FOOT PLATE



SPINDLE



PRODUCT CODE	FOOT - THREAD - SPINDLE TYPE
EXAMPLE	J090 - 16 - 100

TYPE	DIAMETER \varnothing [mm]	HEIGHT B [mm]	HOLE POSITION E [mm]	HOLE DIAMETER $D1$ [mm]	NOM LOAD COMPRESSION [N]	ITEM CODE
90	89	12	32	13	70.000	J090
90AS	89	17	32	13	30.000	J090AS
110	109	12	42	13	70.000	J110
110AS	109	17	42	13	30.000	J110AS
150	149	12	59	16	100.000	J150
150AS	149	17	59	16	30.000	J150AS
180	179	14	74	16	120.000	J180
180AS	179	19	74	16	30.000	J180AS

TYPE ▶	100	150	180	230	W1 [mm]
THREAD	[N]	[N]	[N]	[N]	
M16	32.000	29.000	20.000	12.500	13
M20	49.000	49.000	48.000	30.000	17
M24	70.000	70.000	70.000	65.000	19
M30	112.500	112.500	112.500	112.500	24
M36	162.000	162.000	162.000	162.000	30
M42	220.000	220.000	220.000	220.000	36
HEIGHT ▶ A [mm]	96	152	185	234	



Total height
Maximum nominal load
Tolerance of height A
AS

= A + B
= Lowest value for footplate or spindle
= +/-1,5 mm
= Anti-Slip

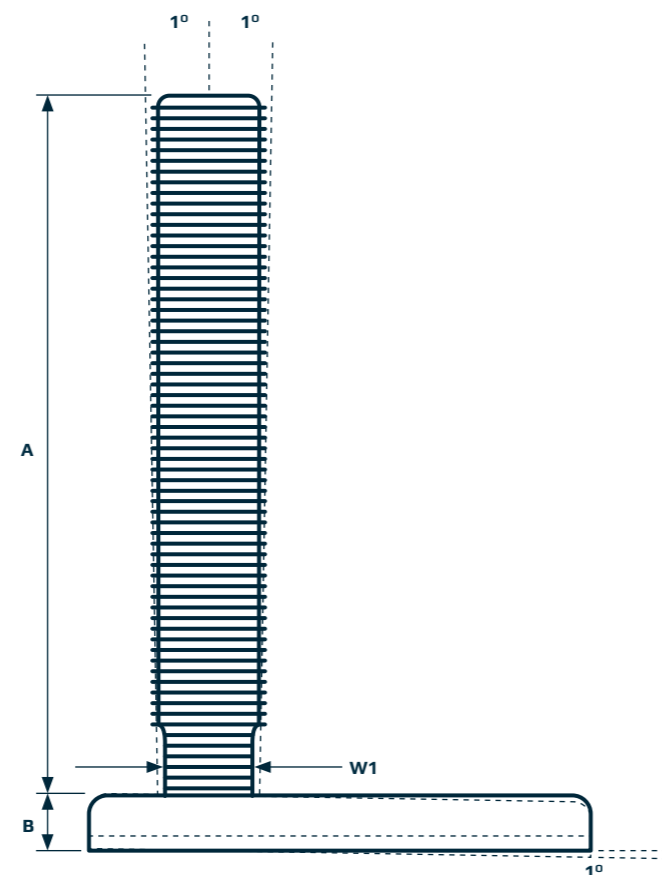
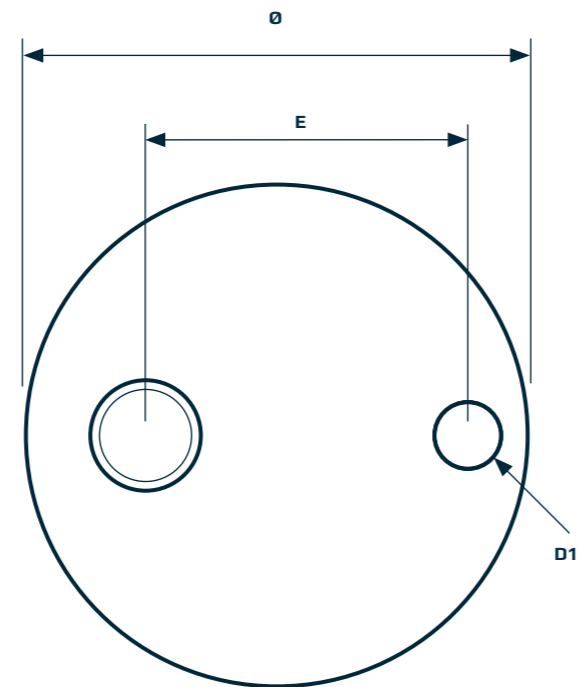
SOLID FULLY-THREADED CF/CF AS

The solid CF levelling foot is the optimal choice for heavy machinery and equipment in diverse production environments.

The foot can easily be fastened to the floor by the decentered fixing hole in the footplate. Bolt, nut and washer can be supplied.

The joined connection between the decentered spindle and the footplate is designed for high load and fixed mounting on horizontal surfaces.

The CF AS is supplied with anti-vibration and anti-slip NBR rubber (by request EPDM).



SOLID FULLY-THREADED LEVELLING FEET CF/CF AS



FOOT PLATE



SPINDLE



PRODUCT CODE	FOOT - THREAD - SPINDLE TYPE
EXAMPLE	CF110 - 16 - 100

TYPE	DIAMETER Ø [mm]	HEIGHT B [mm]	HOLE POSITION E [mm]	HOLE DIAMETER D1 [mm]	NOM LOAD COMPRESSION [N]	ITEM CODE
110	109	12	70	14,5	70.000	CF110
110AS	109	17	70	14,5	30.000	CF110AS
180	179	12	139	14,5	120.000	CF180
180AS	179	17	139	14,5	30.000	CF180AS

TYPE ▶	100	150	180	230	W1 [mm]
THREAD	[N]	[N]	[N]	[N]	
M16	32.000	29.000	20.000	12.500	13
M20	49.000	49.000	48.000	30.000	17
M24	70.000	70.000	70.000	65.000	19
M30	112.500	112.500	112.500	112.500	24
M36	162.000	162.000	162.000	162.000	30
M42	220.000	220.000	220.000	220.000	36
HEIGHT ▶ A [mm]	96	152	185	234	



Total height = A + B
 Maximum nominal load = Lowest value for footplate or spindle
 Tolerance of height A = +/- 1,5 mm
 AS = Anti-Slip

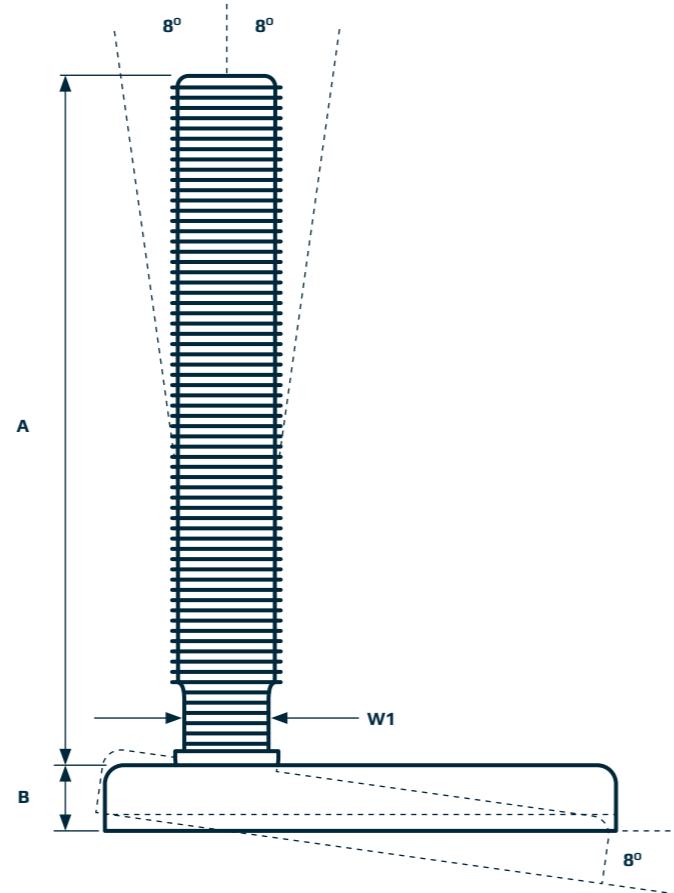
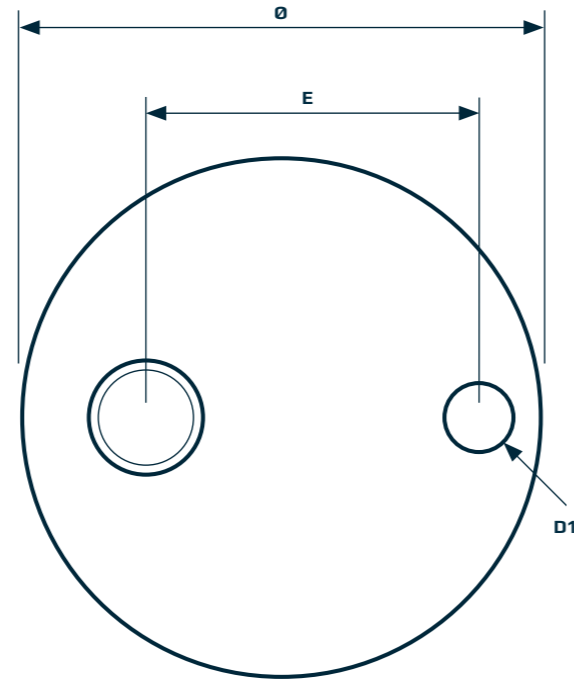
SOLID FULLY-THREADED KCF/KCF AS

The solid KCF levelling foot is the optimal choice for heavy machinery and equipment in diverse production environments.

The foot can easily be fastened to the floor by the decentered fixing hole in the footplate. Bolt, nut and washer can be supplied.

The joined connection between the decentered spindle and the footplate is designed for high load and flexible mounting on horizontal surfaces.

The KCF AS is supplied with anti-vibration and anti-slip NBR rubber (by request EPDM).



SOLID FULLY-THREADED LEVELLING FEET KCF/KCF AS



FOOT PLATE



SPINDLE



PRODUCT CODE	FOOT - THREAD - SPINDLE TYPE
EXAMPLE	KCF110- 12-050

TYPE	DIAMETER Ø [mm]	HEIGHT B [mm]	NOM LOAD COMPRESSION [N]	ITEM CODE
110	109	17	100.000	KCF110
110AS	109	22	30.000	KCF110AS

TYPE ▶	50	70	100	150	180	230	310	W1 [mm]
THREAD	[N]	[N]	[N]	[N]	[N]	[N]	[N]	
M12	17.000	17.000	17.000	8.000	5.000	3.000	-	10
M16	-	32.000	32.000	29.000	20.000	12.500	7.500	13
M20	-	49.000	49.000	49.000	48.000	30.000	15.000	17
M24	-	70.000	70.000	70.000	70.000	65.000	35.000	19
M30	-	112.500	112.500	112.500	112.500	112.500	95.000	24
M36	-	-	162.000	162.000	162.000	162.000	162.000	30
M42	-	-	220.000	220.000	220.000	220.000	220.000	36
HEIGHT A [mm] ▶	54	68	102	144	177	227	310	



Total height = A + B
 Maximum nominal load = Lowest value for footplate or spindle
 Tolerance of height A = +/-1,5 mm
 AS = Anti-Slip