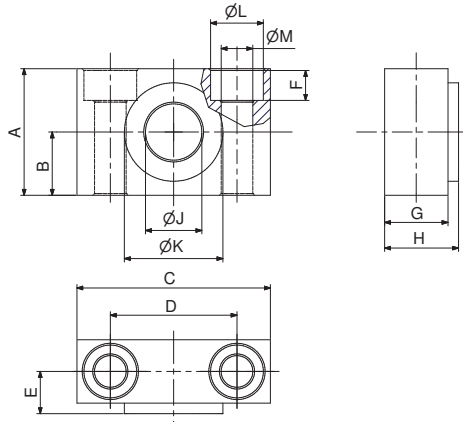
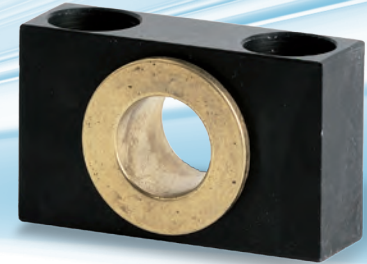


SCI...E

SUPPORT FOR INTERMEDIATE HINGE (AT4)



STANDARD VERSION:
 MATERIAL OF THE BODY: ANODIZED ALUMINIUM
 MATERIAL OF THE BUSHES: BRONZE



CODE	CYLINDER Ø	A	B	C	D	E	F	G	H	ØJ	ØK	ØL	ØM
SCI32E	32	30	15	46	32	10.5	7	15	18	12	22	11	6.6
SCI4050E	40-50	36	18	55	36	12	9	18	21	16	28	15	9
SCI6380E	63-80	40	20	65	42	13	11	20	23	20	32	18	11
SCI100125E	100-125	50	25	75	50	16	13	25	28.5	25	39	20	14
SCI160200E*	160-200	60	30	92	60	22.5	17	35	40	32	45	26	18

* Material of SCI160200E: steel